

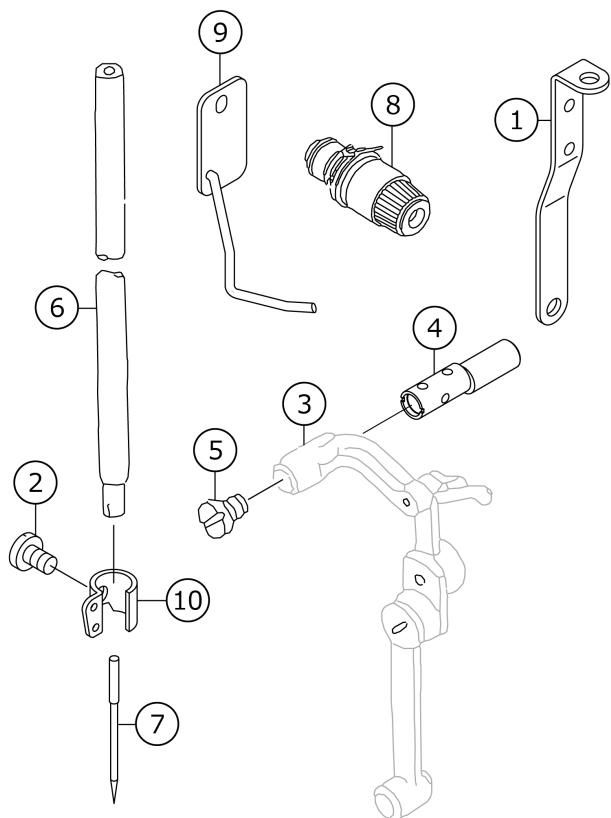
ACF-164-1903

# NEEDLE BAR & THREAD TENSION, PRESSER LIFTER, SHAFT COMPONENT

S

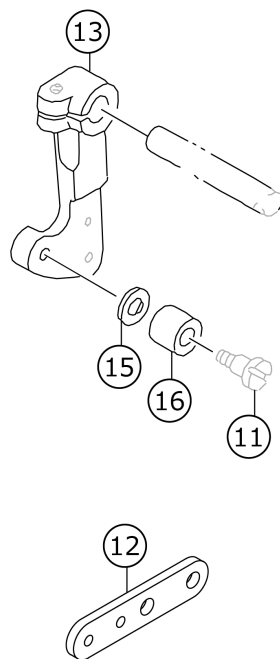
## NEEDLE BAR & THREAD TENSION COMPONENTS

針棒・糸調子関係



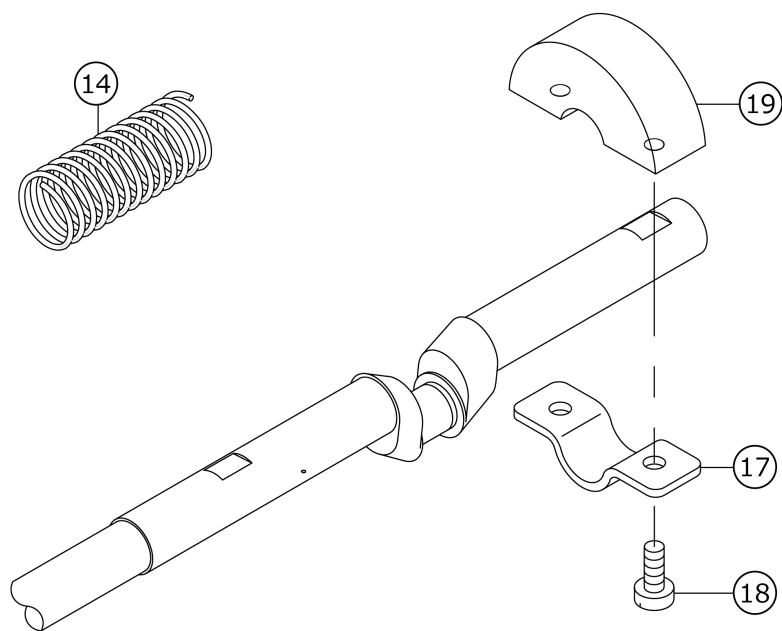
## PRESSER LIFTER COMPONENTS

押え上げ関係



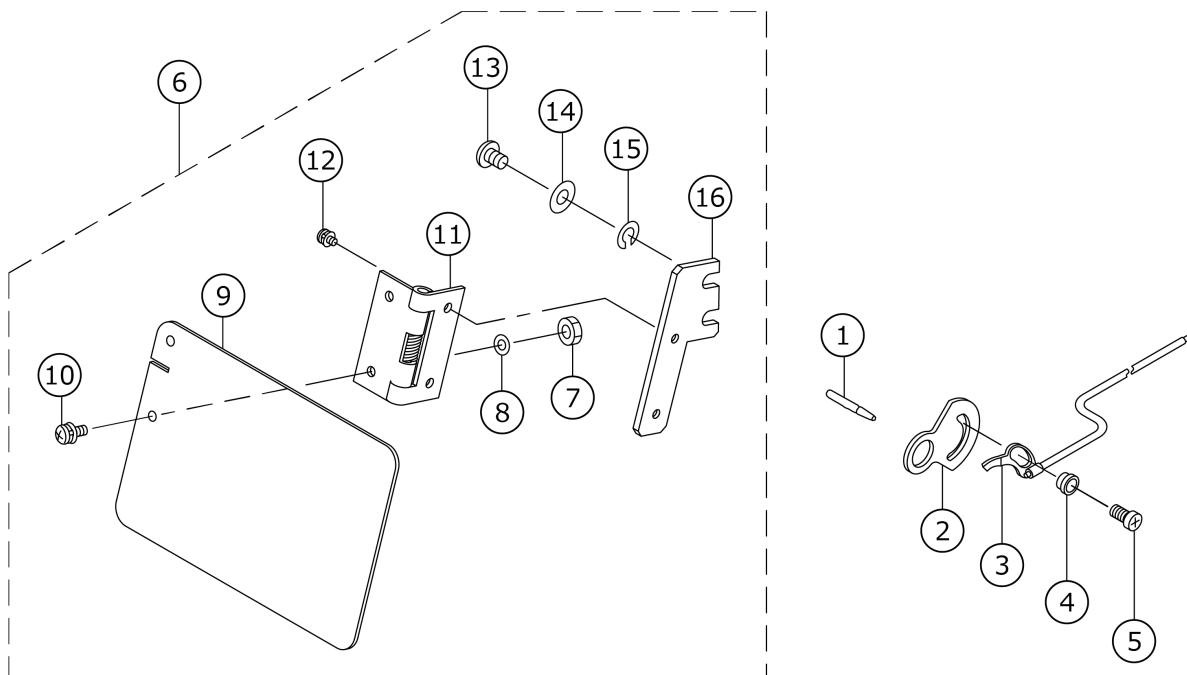
## SHAFT COMPONENTS

軸関係



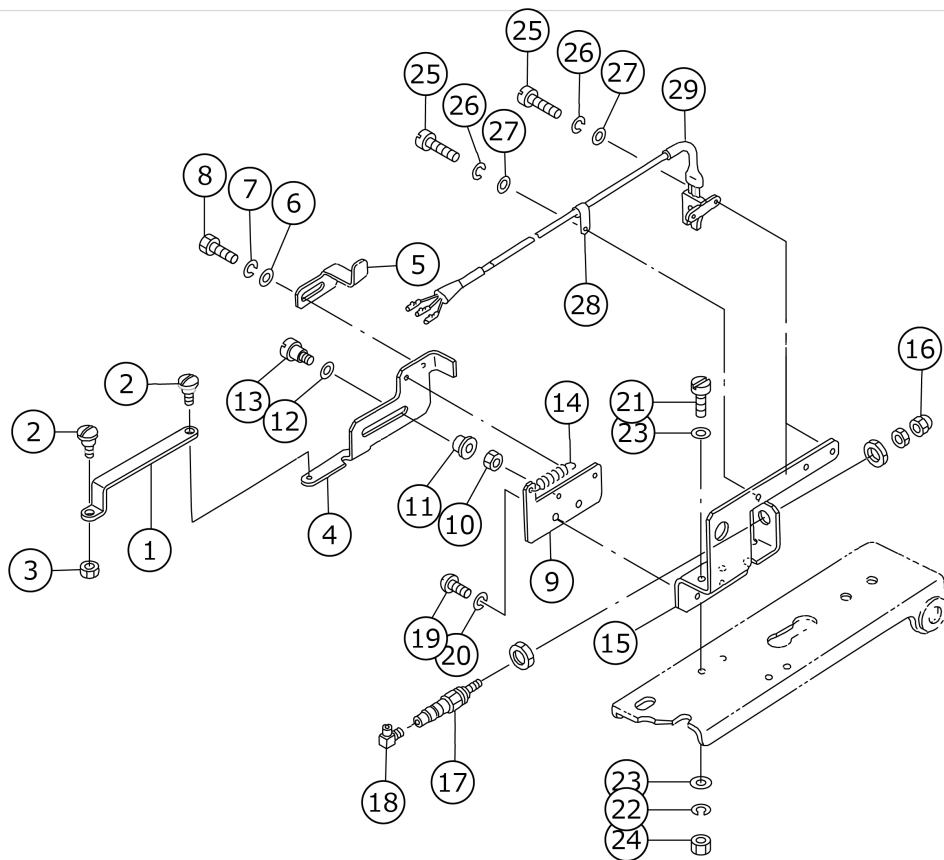
No.	品番	品名	備考	子部品	消耗品	個数
1	B1114581000	THREAD GUIDE PLATE				1.00
2	SS7080510TP	SCREW 1/8-44 L=4.5				1.00
3	D1901L7VVB0	THREAD TAKE-UP LEVER ASM.				1.00
4	D1904L7VV00	LINK TAKE-UP LEVER PIN, HEAVY				1.00
5	D1906L7VV00	SET SCREW				1.00
6	D1401L7VV00	NEEDLE BAR				1.00
7	MDP170B1400	NEEDLE DPX17 #14				1.00
8	B23022050A0	TENSION CONTROLLER NO.2 ASM.				1.00
9	B55412050A0	THREADING GUIDE ASM.				1.00
10	D1405M7WF00	NEEDLE BAR THREAD GUIDE				1.00
11	SD0791271SP	HINGE SCREW D= 7.94 H=12.7				1.00
12	14147003	SOLENOID LINK				1.00
13	13541313	CONNECTING ARM				1.00
14	14148407	VERTICAL FEED SHAFT SPRING				1.00
15	B185351200E	HOOK SHAFT WASHER				1.00
16	B2619372000	STOP MOTION TRIPPING LEVER CAM				1.00
17	B1208210D00	CRANK BALANCER FIX PLATE				1.00
18	SS6121210SP	SCREW 3/16-28 L=12				2.00
19	B1207210D00	CRANK BALANCER				1.00

# FRAME & MICELLANEOUS COVER COMPONENTS



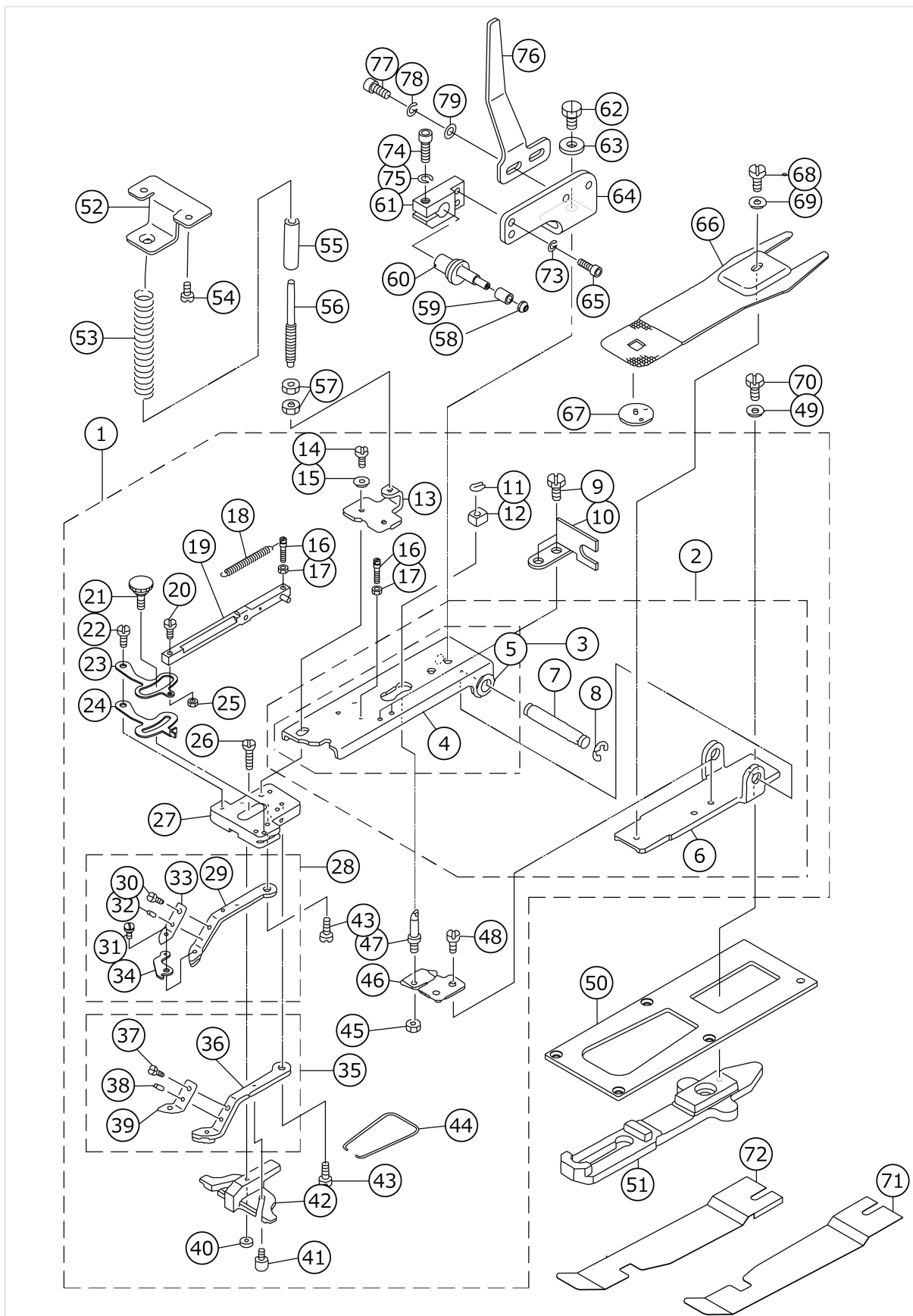
No.	品番	品名	備考	子部品	消耗品	個数
1	G2303270000	THREAD RELEASE PIN				1.00
2	B2702210000	DETECTING PLATE GUIDE				1.00
3	G6101164BA0	DETECTING PLATE ASM.				1.00
4	B2703210000	BUSHING				1.00
5	SS7090850SP	SCREW 9/64-40 L=8				1.00
6	G5433164BA0	SAFETY PLATE ASM.				1.00
7	NM6030001SC	NUT M3		*		2.00
8	WP0320501SC	WASHER M3		*		2.00
9	G5901172000	SAFETY PLATE		*		1.00
10	SL4031091SC	SCREW M3 X 10		*		2.00
11	G5903172000	SAFETY PLATE HINGE		*		1.00
12	SL4030691SC	SCREW M3X6		*		2.00
13	SS4110715SP	SCREW 11/64-40 L=7		*		2.00
14	WS0451040KP	SPRING WASHER 4.5X8.5X1		*		2.00
15	WP0450801SD	WASHER 4.5X10X0.8		*		2.00
16	G5433164B00	SAFETY PLATE FITTING PLATE		*		1.00

# BUTTON SENSOR COMPONENTS



No.	品番	品名	備考	子部品	消耗品	個数
1	MAZ08920000A	LINK BAR				1.00
2	MAZ08921000	LINK SCREW, B				2.00
3	NM6860003SC	NUT M2.6				1.00
4	MAZ08919000	SLIDER LINK				1.00
5	MAZ16722000	PLATE				1.00
6	WP0320501SC	WASHER M3				1.00
7	WS0310002KN	SPRING WASHER M3				1.00
8	SM6030602TP	SCREW M3X0.5 L=6				1.00
9	MAZ16726000	PLATE				1.00
10	NS6080210SP	NUT 1/8-44				2.00
11	MAZ16723000	BEARING				2.00
12	WP0451026SH	WASHER				2.00
13	SD0450403TP	HINGE SCREW				2.00
14	D3149141E00	SPRING				1.00
15	MAZ16718000	PLATE				1.00
16	NM7030510SA	NUT M3				1.00
17	PA0601004A0	AIR CYLINDER				1.00
18	PJ046052503	HOSE ELBOW				1.00
19	SS4080610SP	SCREW 1/8-44 L=6.4				2.00
20	WS0310002KN	SPRING WASHER M3				2.00
21	SS6111620SP	SCREW 11/64-40 L=16.0				2.00
22	WS0451040KP	SPRING WASHER 4.5X8.5X1				2.00
23	WP0450801SD	WASHER 4.5X10X0.8				4.00
24	NS6110420SP	NUT 11/64-40				2.00
25	SS6080810SP	SCREW 1/8-44 L= 8.0				3.00
26	WS0310002KN	SPRING WASHER M3				3.00
27	WP0320501SC	WASHER M3				3.00
28	HX00150000A	CABLE CLAMP				1.00
29	MAZ167820A0	SENSOR SWITCH ASM.				1.00

# BUTTON CLAMP COMPONENTS

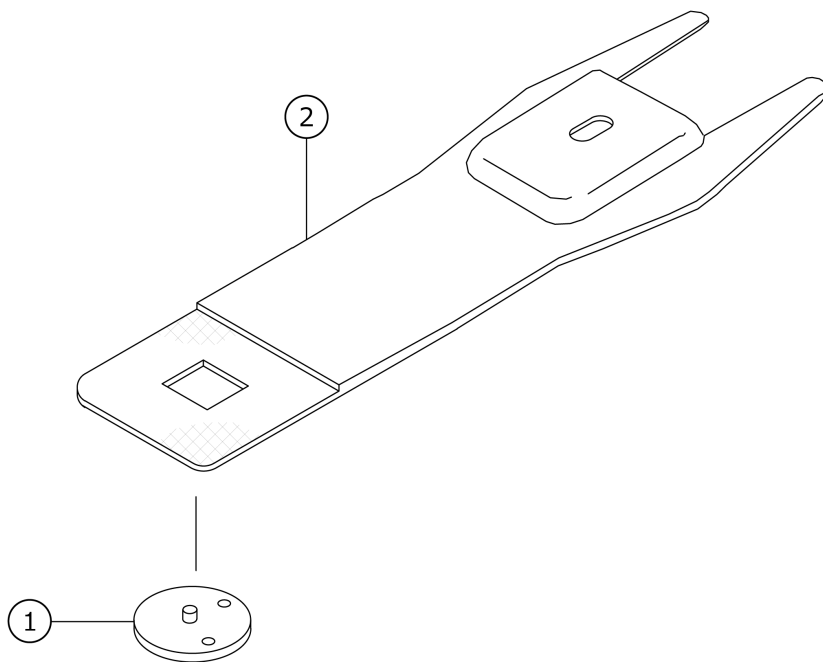
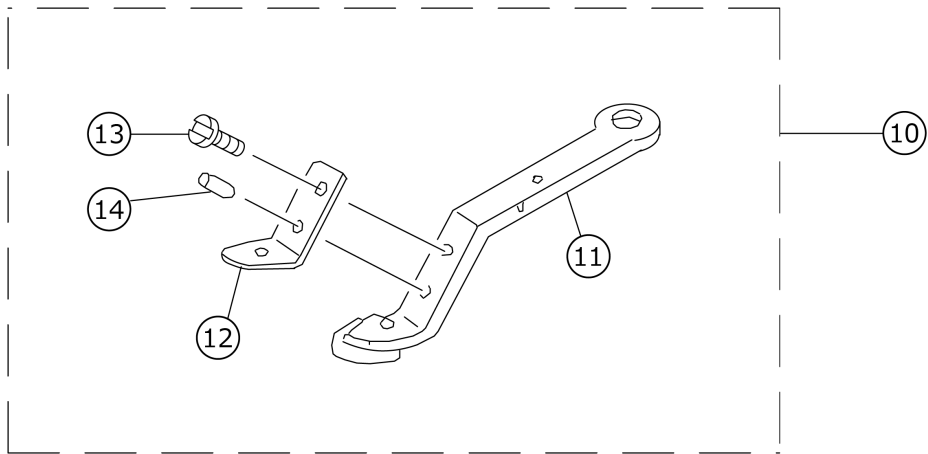
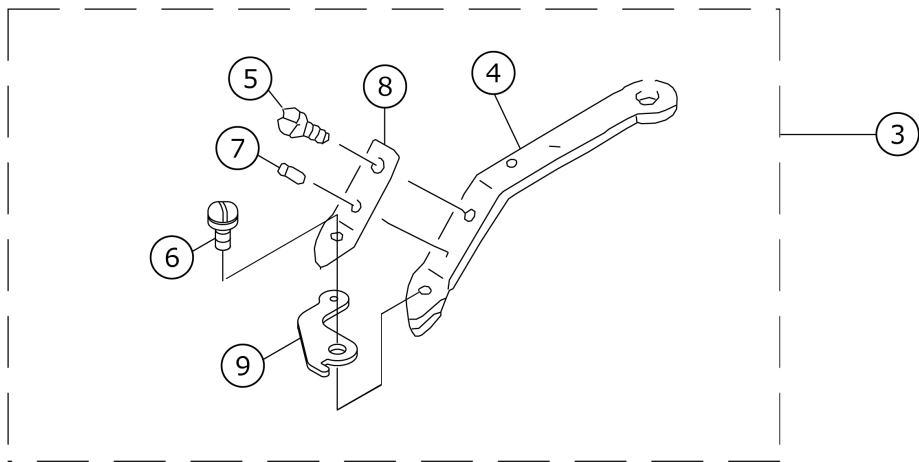


No.	品番	品名	備考	子部品	消耗品	個数
1	MAZ167140B0	S BUTTON CLAMP MECHANISM ASM.				1.00
2	MAZ155030B0	CLAMP JAW LEVER BASE ASM.		*		1.00
3	MAZ155030A0	CLAMP JAW LEVER BASE ASM.		*		1.00
4	MAZ15503000	CLAMP JAW LEVER BASE		*		1.00
5	D2505232D00	SUPPORT BOSS		*		2.00
6	MAZ15504000	BUTTON CLAMP MECHANISM BASE		*		1.00
7	D2502232D00	SHAFT BLOCK SHAFT		*		1.00
8	RE0700000K0	E-RING 7		*		2.00
9	SS9091010SP	SCREW 9/64-40 L=10		*		2.00
10	D2572M1YC0F	LINK SUPPORTING PLATE		*		1.00
11	D2548232D00	SNAP RING, FOR CONNECTING ROD		*		1.00
12	MAZ15515000	SLIDE BLOCK		*		1.00
13	MAZ15517000	SLIDE BRACKET		*		1.00
14	SS9621413SP	SCREW 3/16-32 L=13.5		*		2.00
15	WP0501016SD	WASHER 5X10.5X1		*		2.00
16	GBR01607000	SPRING HOOK		*		2.00
17	NS6080210SP	NUT 1/8-44		*		2.00
18	GBR01606000	RELEASE RETURN SPRING		*		1.00
19	MAZ088270A0	CLAMP PELEASE LINK ASM.		*		1.00
20	SS7091480SP	SCREW 9/64-40 L=13.5		*		1.00
21	B2549372R00A	SCREW		*		1.00
22	SD0500404SP	HINGE SCREW		*		1.00
23	GBR01601000A	CLAMP RELEASE LEVER		*		1.00
24	B2548372R00A	OPEN LEVER		*		1.00
25	NS6090310SP	NUT 9/64-40		*		1.00
26	SD0550303SP	HINGE SCREW		*		1.00
27	MAZ15505000	BUTTON CLAMP JAW LEVER BASE		*		1.00
28	MAZ167140A0	S BUTTON CLAMP JAW LEVER ASM.L		*		1.00
29	MAZ16714000	S BUTTON CLAMP JAW LEVER, LEFT		*		1.00
30	SS7090410SP	SCREW 9/64-40 L= 3.5		*		1.00
31	MAZ08916000	LINK SCREW A		*		1.00
32	B2559372000	BUTTON CLAMP LOCATING PIN		*		1.00
33	MAZ08917000	BUTTON HOLDING SPRING, LEFT		*		1.00
34	MAZ08915000A	DETECTOR LEVER		*		1.00
35	MAZ165070B0	S BUTTON CLAMP JAW LEVER ASM.R		*		1.00
36	MAZ165070A0	S BUTTON CLAMP JAW LEVER ASM.R		*		1.00
37	SS7090410SP	SCREW 9/64-40 L= 3.5		*		1.00
38	B2559372000	BUTTON CLAMP LOCATING PIN		*		1.00
39	MAZ08829000	SPRING, RIGHT		*		1.00
40	B2553372000	NUT		*		1.00
41	B2560372000	BUTTON CLAMP STOP PIN		*		2.00
42	MAZ16522000	BUTTON GUIDE FOOT		*		1.00
43	MAZ15518000	SCREW		*		2.00
44	B2561372000	BUTTON CLAMP SPRING		*		1.00
45	NS6150310SP	NUT 15/64-28		*		1.00
46	MAZ15514000	SUPPORT PLATE		*		1.00
47	13540901	STATIONING BLOCK SHAFT		*		1.00
48	SS9110543CP	SCREW 11/64-40 L=5.3		*		2.00
49	WP0612516SD	WASHER 6.1X15.2X2.5				1.00
50	13517602	FEED PLATE PRESSER PLATE				1.00



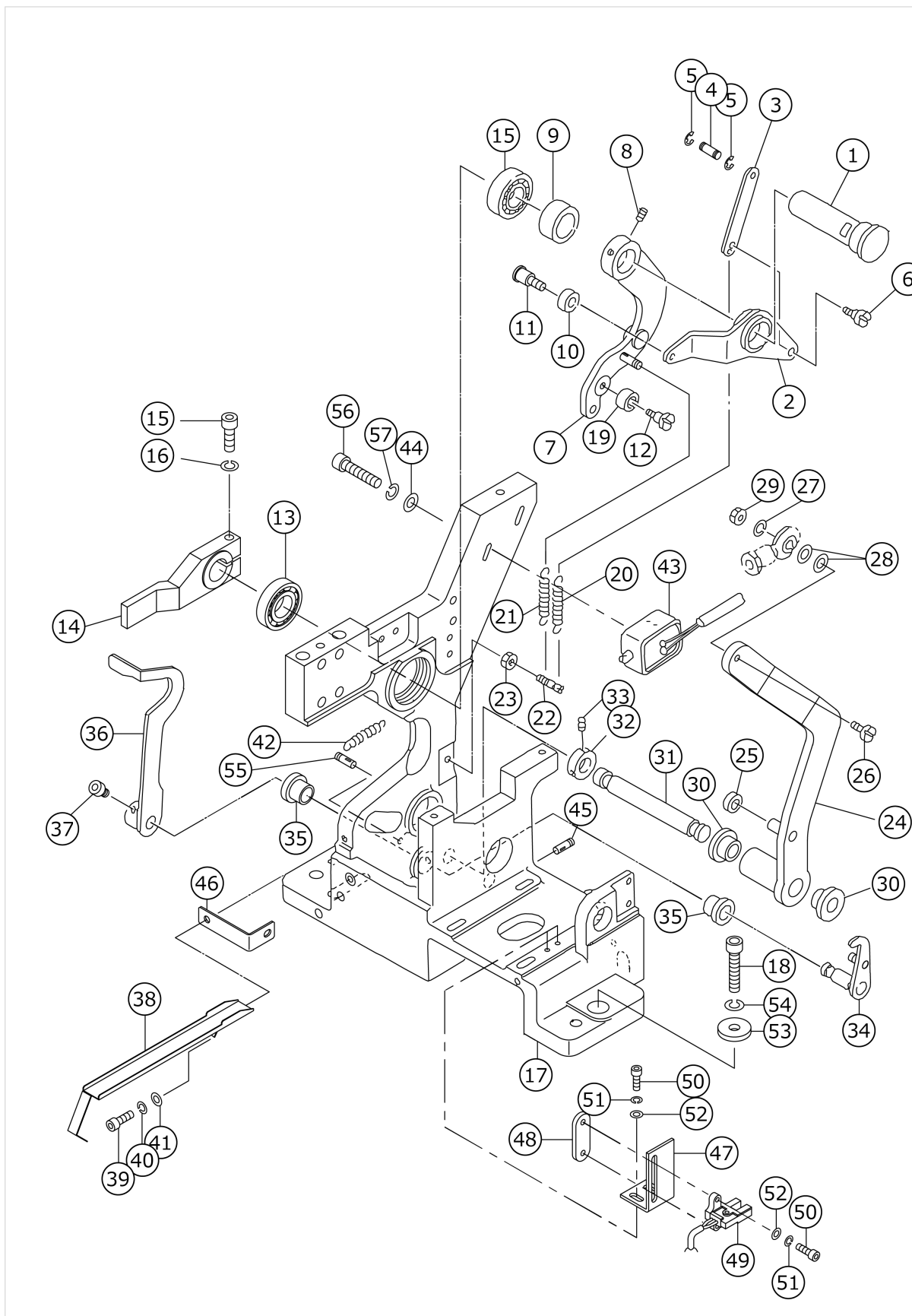
51	14145106	CLOTH FEED PLATE				1.00
52	13811906	ACCEPT PLATE, UPPER				1.00
53	13812003	PRESSURE SPRING				1.00
54	SS7110840SP	SCREW 11/64-40 L=7.8				2.00
55	D2527232D00	SLEEVE				1.00
56	D2528232D00	SHAFT				1.00
57	B3125012000	THREAD TENSION NUT				2.00
58	GBR01161000	NUT				1.00
59	GBR01160000	ROLLER				1.00
60	18207605	HOOK				1.00
61	18209007	HOOK HOLDER				1.00
62	SS9151120CP	SCREW 15/64-28 L=11				2.00
63	WP0612516SD	WASHER 6.1X15.2X2.5				2.00
64	GBR25004000	HOLDER BRACKET				1.00
65	SM6041202TP	SCREW M4X0.7 L=12				2.00
66	MAZ15502000	PRESSURE PLATE				1.00
67	MAZ15601000	GUIDE				1.00
68	SS9110543CP	SCREW 11/64-40 L=5.3				1.00
69	WP0501016SD	WASHER 5X10.5X1				1.00
70	SM6061202TP	SCREW M6 L=12				1.00
71	G5520164A00	SUPPORT PLATE (FOR MAN)	OPTIONAL PARTS			1.00
72	G5521164A00	SUPPORT PLATE (FOR WOMAN)	OPTIONAL PARTS			1.00
73	WS0410002KN	SPRING WASHER				2.00
74	SM6051602TP	SCREW M5X0.8 L=16				1.00
75	WS0510002KN	SPRING WASHER				1.00
76	GBR25003000	LIFTING ACTUATING PLATE				1.00
77	SM6051202TP	SCREW M5X0.8 L=12				2.00
78	WS0510002KP	SPRING WASHER 5.1X9.2X1.3				2.00
79	WP0531000SD	WASHER M5				2.00

# BUTTON CLAMP COMPONENTS (ATTACHMENT FOR DIUM-SIZED BUTTONS) (OPTION)



No.	品番	品名	備考	子部品	消耗品	個数
1	MAZ15601000	GUIDE				1.00
2	MAZ15602000	PRESSURE PLATE				1.00
3	MAZ168140A0	M BUTTON CLAMP JAW LEVER ASM.L				1.00
4	MAZ16814000	M BUTTON CLAMP JAW LEVER, LEFT		*		1.00
5	SS7090410SP	SCREW 9/64-40 L= 3.5		*		1.00
6	MAZ08916000	LINK SCREW A		*		1.00
7	B2559372000	BUTTON CLAMP LOCATING PIN		*		1.00
8	MAZ08917000	BUTTON HOLDING SPRING,LEFT		*		1.00
9	MAZ08915000A	DETECTOR LEVER		*		1.00
10	MAZ166070B0	M BUTTON CLAMP JAW LEVER ASM.R				1.00
11	MAZ166070A0	M BUTTON CLAMP JAW LEVER ASM.R		*		1.00
12	MAZ15509000	SPRING, RIGHT		*		1.00
13	SS7090410SP	SCREW 9/64-40 L= 3.5		*		1.00
14	B2559372000	BUTTON CLAMP LOCATING PIN		*		1.00

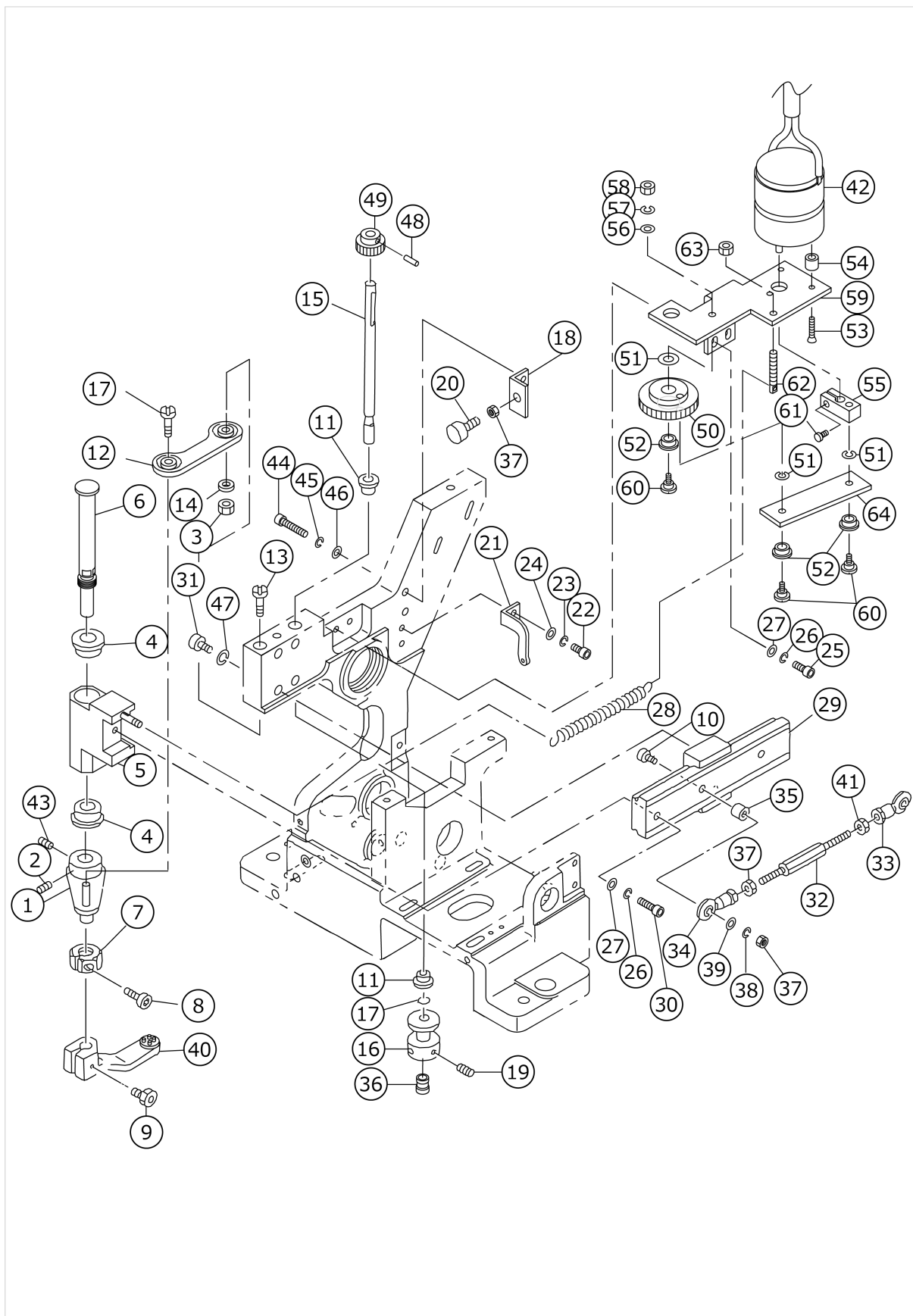
# FINE POSITION OF BUTTONS COMPONENTS (1)



No.	品番	品名	備考	子部品	消耗品	個数
1	16552507	ARM SHAFT				1.00
2	18219709	RUBBING UP-AND-DOWN LEVER				1.00
3	18218206	RUBBING UP-AND-DOWN LINK				1.00
4	16557209	PIN				1.00
5	RE0200000K0	E-RING				2.00
6	SD0600341TP	HINGE SCREW D=6.0 H=3.4				1.00
7	18227850	UP AND DOWN LEVER ASM.				1.00
8	SM8050602TP	SCREW M5 L=6				2.00
9	16552606	THRUST COLLAR				1.00
10	18219808	RUBBING ROLLER				1.00
11	SD0600401TP	HINGE SCREW D= 6 H= 4				1.00
12	SD0601021SP	HINGE SCREW D=6 H=10.2				1.00
13	SB115000400	RADIAL BEARING				2.00
14	18207902	UP AND DOWN ARM				1.00
15	SM6052502TP	SCREW M5X0.8 L=25				1.00
16	WS0510002KN	SPRING WASHER				1.00
17	18227702	MAIN BODY				1.00
18	SM6063002TP	SCREW M6 L=30				3.00
19	16556706	BEARING				1.00
20	16554008	SPRING				1.00
21	16553208	SPRING				1.00
22	16553307	HOOK				1.00
23	NM6050001SC	NUT M5				1.00
24	18206706	TURNING LEVER				1.00
25	16556805	COLLAR				1.00
26	SM6042002TP	SCREW M4X0.7 L=20				1.00
27	WS0410002KN	SPRING WASHER				1.00
28	WP0430800SC	WASHER M4				2.00
29	NM6040001SC	NUT M4				1.00
30	16557506	LEVER SHAFT METAL				2.00
31	16554503	SHAFT				1.00
32	16559007	BASE A (BR-10)				1.00
33	SM8040602TP	SCREW M4X0.7 L=6				2.00
34	18217752	CLAMP RELEASE ASM.				1.00
35	16557605	SHAFT BUSHING				2.00
36	18206904	CLAMP RELEASE ARM				1.00
37	SM6050802TP	SCREW M5X0.8 L=8				2.00
38	GBR11101000	SUPPORT PLATE				1.00
39	SM6041002TP	SCREW M4 L=10				1.00
40	WS0410002KN	SPRING WASHER				1.00
41	WP0430800SC	WASHER M4				1.00
42	16554008	SPRING				1.00
43	GBR10852000	MAGNET				1.00
44	WP0320500SC	WASHER M3				2.00
45	SM8050502TP	SCREW M5 L=5				1.00
46	GBR25005000	CAM FIXING PLATE				1.00
47	GBR21103000	SENSOR BRACKET				1.00
48	G5153171000	SENSOR PLATE				1.00
49	GBR218420A0	SWITCH ASM.				1.00
50	SM6031002TP	HEXAGONAL BOLT M3 X 10				4.00

51	WS0310002KN	SPRING WASHER M3				4.00
52	WP0320501SC	WASHER M3				4.00
53	16559601	WASHER				3.00
54	WS0610002KN	SPRING WASHER 6.1X12.2X1.5				3.00
55	18219006	DW PIN 4*14				1.00
56	SM6031402TP	SCREW				2.00
57	WS0310002KN	SPRING WASHER M3				2.00

# FINE POSITION OF BUTTONS COMPONENTS (2)

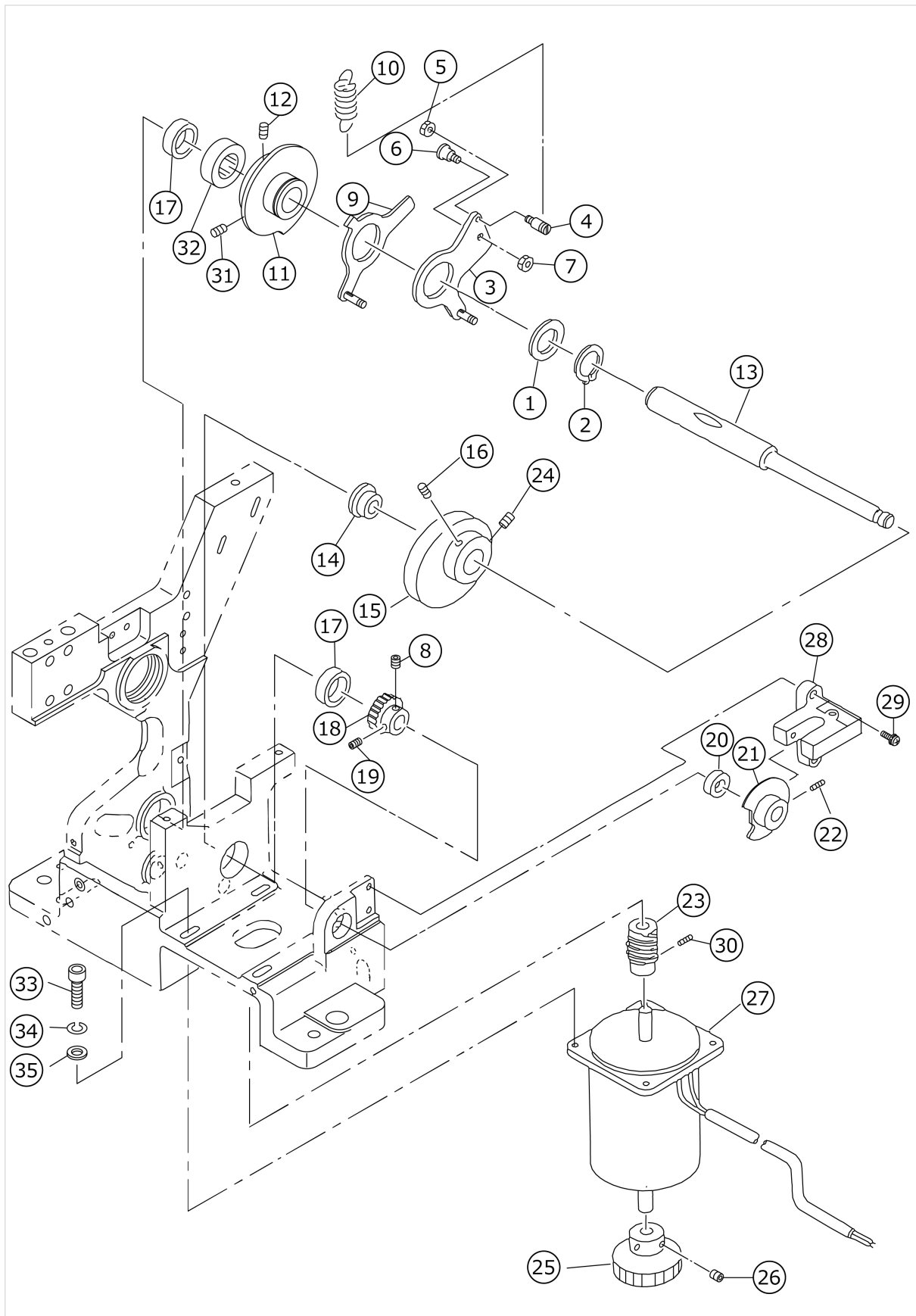


No.	品番	品名	備考	子部品	消耗品	個数
1	18206003	TURNING LEVER BOSS				1.00
2	SM8050602TP	SCREW M5 L=6				1.00
3	NM6050001SC	NUT M5				1.00
4	16557407	ARM SHAFT METAL				2.00
5	18227959	TURNING HEAD ASM.				1.00
6	18205906	TURNING SHAFT				1.00
7	18206409	STOPPER				1.00
8	SM6031202TP	SCREW M3X0.5 L=12				1.00
9	GBR11108000	CARRIER FIXED BOLT				1.00
10	SM6042502TP	SCREW M4X0.7 L=25				1.00
11	16557308	METAL				2.00
12	18206656	CONNECTING PLATE ASM.				1.00
13	18205708	SCREW				2.00
14	WS0510002KS	SPRING WASHER M5				1.00
15	18206201	ROTATING ROD				1.00
16	16551905	HOOK				1.00
17	16558801	O-RING				1.00
18	18205609	STOPPER HOLDER				1.00
19	SM8040602TP	SCREW M4X0.7 L=6				2.00
20	16552309	STOPPER				1.00
21	18205401	SPRING HOOK				1.00
22	SM6040802TP	SCREW M4X0.7 L=8				2.00
23	WS0410002KN	SPRING WASHER				2.00
24	WP0430800SC	WASHER M4				2.00
25	SM6041002TP	SCREW M4 L=10				2.00
26	WS0410002KN	SPRING WASHER				3.00
27	WP0430800SC	WASHER M4				3.00
28	16551806	SPRING				1.00
29	16556607	LM GUIDE				1.00
30	SM6041402TP	SCREW M4 L=14				1.00
31	SM6031402TP	SCREW				4.00
32	16550204	CONNECTING ROD				1.00
33	16556409	ROD END				1.00
34	16556300	ROD END				1.00
35	16550402	COLLAR B				1.00
36	18200501	WORK ATTACHMENT (SMALL)				1.00
37	NM6040001SC	NUT M4				3.00
38	WS0410002KN	SPRING WASHER				1.00
39	WP0430800SC	WASHER M4				1.00
40	16557902	BUTTON CARRIER A				1.00
41	GBR01175000	ROD END NUT, LEFT				1.00
42	GBR108550A0	DC MOTOR ASM.				1.00
43	SM8050502TP	SCREW M5 L=5				1.00
44	SM6042002TP	SCREW M4X0.7 L=20				2.00
45	WP0430800SC	WASHER M4				2.00
46	WS0410002KN	SPRING WASHER				2.00
47	WS0310002KN	SPRING WASHER M3				4.00
48	PH0300125S0	PIN				1.00
49	GBR111110000	PINION, A				1.00
50	GBR11111000	PINION, B				1.00



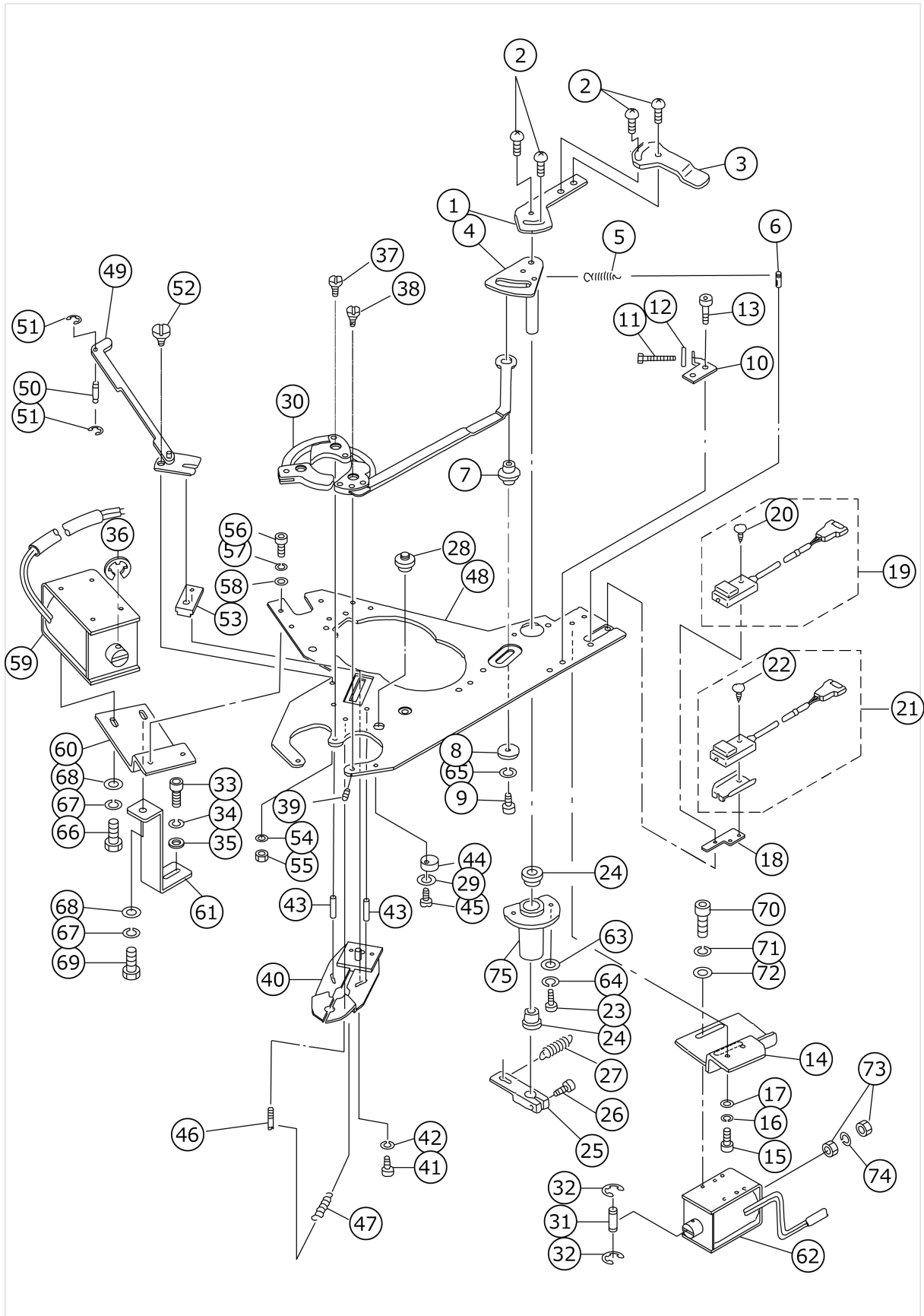
51	GBR11114000	WASHER				3.00
52	E5006171000	PS BEARING				2.00
53	SM1031401SC	SCREW M3X0.5 L=14				3.00
54	11110707	WIPER HINGE SCREW COLLAR				3.00
55	GBR11112000	DRIVING ARM				1.00
56	WP0430801SC	WASHER 4.3X9X0.8				1.00
57	WS0410002KN	SPRING WASHER				1.00
58	NS6110360SP	NUT				1.00
59	GBR11109000	BRACKET				1.00
60	SD0600651TP	HINGE SCREW				3.00
61	SM6030602TP	SCREW M3X0.5 L=6				1.00
62	B1649161000	TENSION SPRING ADJUSTING SCREW				1.00
63	NS6110360SP	NUT				1.00
64	GBR11113000	LINK				1.00

# CAM COMPONENTS



No.	品番	品名	備考	子部品	消耗品	個数
1	GBR01120000	COLLAR				1.00
2	RC2500001KP	RETAINING RING 25				1.00
3	18217950	START TIMING CAM ASM.				1.00
4	16562803	HOOK				1.00
5	NM6040001SC	NUT M4				1.00
6	16562902	HINGE SCREW				1.00
7	NM6050001SC	NUT M5				1.00
8	SM8050602TP	SCREW M5 L=6				1.00
9	18227553	HOLDING CLAMP DRIVE CAM ASM.				1.00
10	B1426771000	SPRING				1.00
11	18207209	DOUBLE CAM				1.00
12	SM8050612TP	SCREW M5X6				1.00
13	18207506	CAM SHAFT				1.00
14	16560104	CAM SHAFT COLLAR 1				1.00
15	16561607	SPINNER OSCILLATING ARM CAM				1.00
16	SM8050812TP	SCREW M5X8				1.00
17	GBR01168000	NEEDLE BEARING 3				2.00
18	16562001	WORM WHEEL				1.00
19	16562407	SCREW				1.00
20	16562308	NEEDLE BEARING				1.00
21	GBR11107000	SENSOR DOCK				1.00
22	SM8040602TP	SCREW M4X0.7 L=6				1.00
23	16562100	WORM GEAR				1.00
24	SM8050842TP	SETSCREW				1.00
25	G5418164000	SULLEY				1.00
26	SM8050602TP	SCREW M5 L=6				1.00
27	GBR108590A0	DC MOTOR ASM.				1.00
28	HD000360000	PHOTO MICRO SENSOR				1.00
29	SL4031081SC	SCREW M3 X 10				2.00
30	SM8040402TP	SCREW M4X0.7 L=4				2.00
31	SM8050842TP	SETSCREW				1.00
32	16560203	CAM SHAFT COLLAR 2				1.00
33	SM6062002TP	SCREW M6 L=20				4.00
34	WS0610002KN	SPRING WASHER 6.1X12.2X1.5				4.00
35	WP0641600SC	WASHEW 6.4X12.5X1.6				4.00

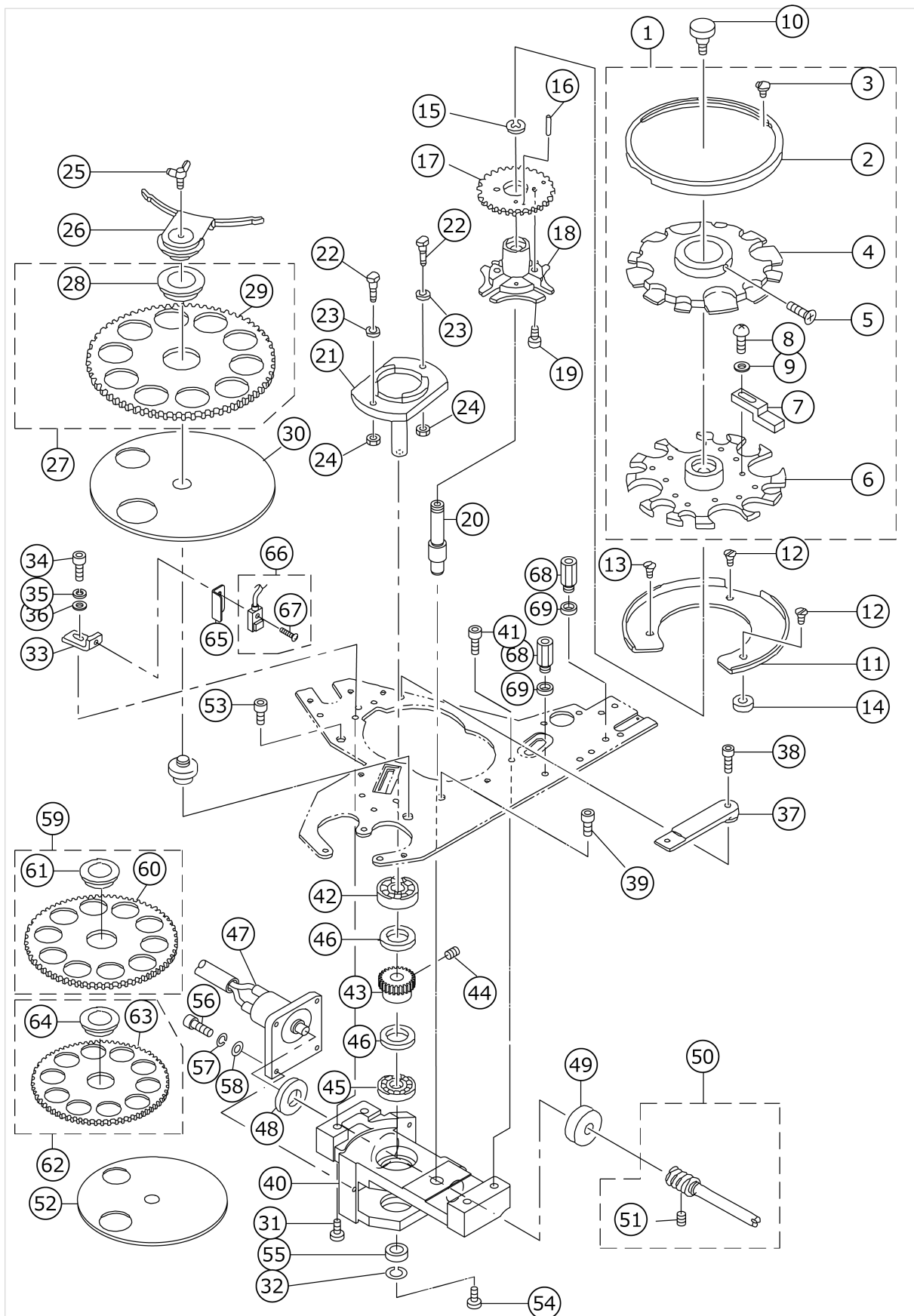
# INDEX COMPONENTS (1)



No.	品番	品名	備考	子部品	消耗品	個数
1	16566507	CHECK DOG				1.00
2	SM0040601SC	SCREW M4X0.7 L=6				4.00
3	16574105	DOG				1.00
4	16566002	SPINNER CAM				1.00
5	16553208	SPRING				1.00
6	18218909	DW PIN 4*12				1.00
7	16565707	SHAFT (1)				1.00
8	B2107816000	WASHER				1.00
9	SM6041002TP	SCREW M4 L=10				1.00
10	16566606	STOPPER BKT				1.00
11	SM8042502TP	SCREW M4X0.7 L=25				1.00
12	NM6040001SC	NUT M4				1.00
13	SM6040802TR	SCREW M4X0.7 L=8				2.00
14	16567000	BRACKET (1)				1.00
15	SM6041002TP	SCREW M4 L=10				2.00
16	WS0410002KN	SPRING WASHER				2.00
17	WP0430800SC	WASHER M4				2.00
18	16574006	BRACKET				1.00
19	GBR108440A0	BUTTON SENSOR SWITCH ASM.				1.00
20	SM0861201SA	SCREW		*		2.00
21	GBR108430A0	RUB COMPLETION SWITCH ASM.				1.00
22	SM0861201SA	SCREW		*		1.00
23	SM6041002TP	SCREW M4 L=10				2.00
24	16572406	METAL				2.00
25	16566408	LINK LEVER				1.00
26	SM6041202TP	SCREW M4X0.7 L=12				1.00
27	18201608	SPRING, 2				1.00
28	18218008	SHAFT (2)				1.00
29	WP0430800SC	WASHER M4				1.00
30	18202150	CHECK ASM., A				1.00
31	16557209	PIN				1.00
32	RE0200000K0	E-RING				2.00
33	SM6061602TP	SCREW M6 L=16				1.00
34	WS0610002KN	SPRING WASHER 6.1X12.2X1.5				1.00
35	WP0641600SC	WASHEW 6.4X12.5X1.6				1.00
36	RE1200000K0	E-RING 12				1.00
37	16565400	HING PIN (2)				2.00
38	16565509	HING PIN (1)				1.00
39	SM8030402TP	SCREW M3X0.5 L=4				1.00
40	16567166	SHUTTER PLATE ASM.				1.00
41	SM6041202TP	SCREW M4X0.7 L=12				1.00
42	WS0410002KN	SPRING WASHER				1.00
43	18204107	PIN				2.00
44	18209502	ECCENTRIC STOPPER				1.00
45	SM6041202TP	SCREW M4X0.7 L=12				1.00
46	18219204	DW PIN 4*18				1.00
47	16554008	SPRING				1.00
48	18217505	TOP PLATE				1.00
49	16567802	LINK PLATE				1.00
50	16572505	PIN				1.00

51	RE0250000K0	E-RING 2.5				2.00
52	16567901	HING SCREW				1.00
53	16573305	SLIDER BLOCK				1.00
54	WS0410002KN	SPRING WASHER				1.00
55	NM6040001SC	NUT M4				2.00
56	SM6041002TP	SCREW M4 L=10				2.00
57	WS0410002KN	SPRING WASHER				2.00
58	WP0430800SC	WASHER M4				2.00
59	GBR10853000	MAGNET				1.00
60	16568206	BRACKET (2)				1.00
61	18209403	SUPPORT PLATE				1.00
62	GBR10854000	MAGNET				1.00
63	WP0430800SC	WASHER M4				2.00
64	WS0410002KN	SPRING WASHER				2.00
65	WS0410002KN	SPRING WASHER				1.00
66	SM6040802TP	SCREW M4X0.7 L=8				3.00
67	WS0410002KN	SPRING WASHER				4.00
68	WP0430800SC	WASHER M4				4.00
69	SM6041202TP	SCREW M4X0.7 L=12				1.00
70	SM6040802TP	SCREW M4X0.7 L=8				2.00
71	WS0410002KN	SPRING WASHER				2.00
72	WP0430800SC	WASHER M4				2.00
73	NM6040001SC	NUT M4				2.00
74	WS0410002KN	SPRING WASHER				1.00
75	16565905	CUPLING				1.00

# INDEX COMPONENTS (2)

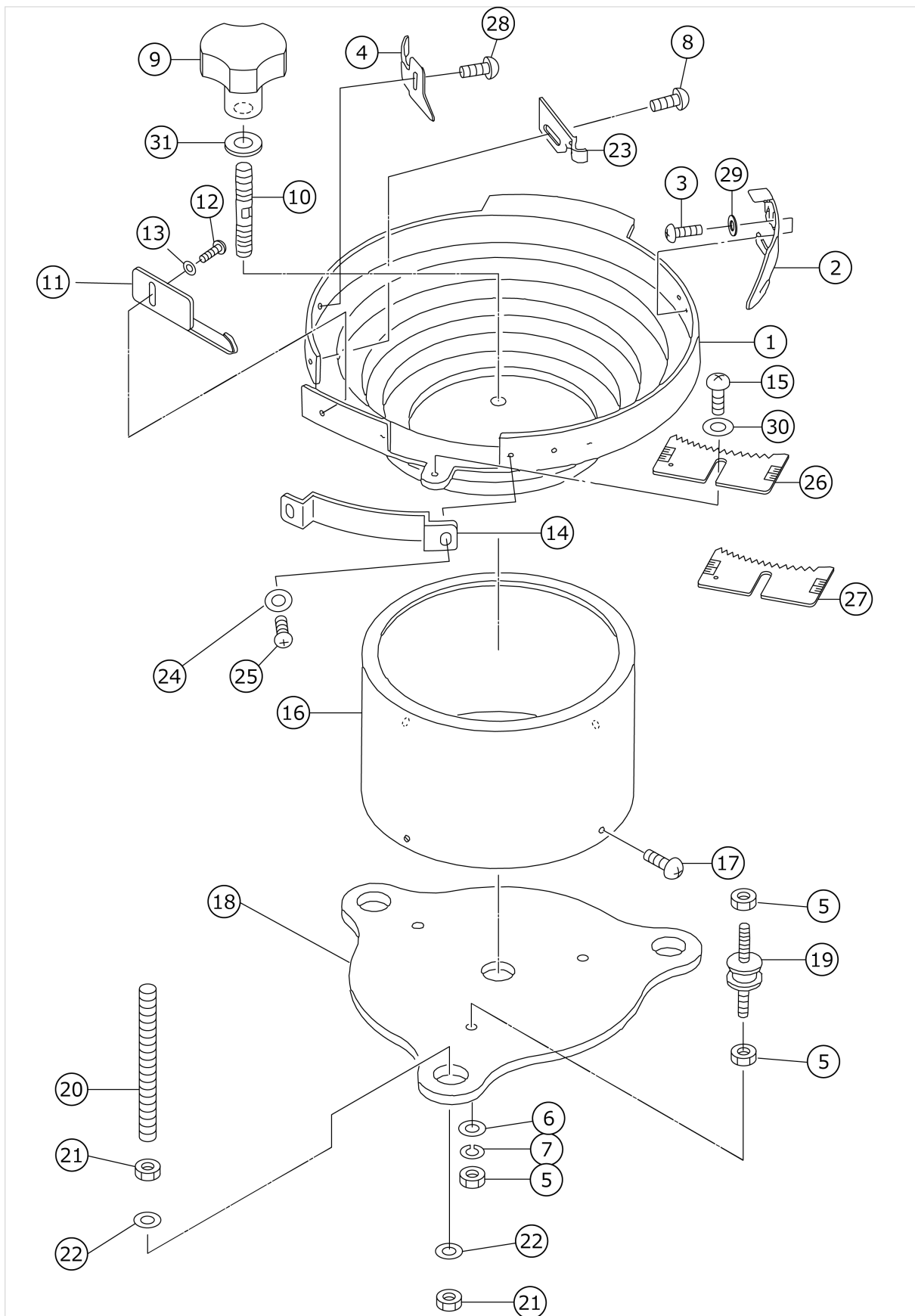


No.	品番	品名	備考	子部品	消耗品	個数
1	18201962	FEED ACROSS PLATE ASM. A				1.00
2	16573701	RING		*		1.00
3	SM0040601SC	SCREW M4X0.7 L=6		*		2.00
4	18203307	ADJUSTING PLATE		*		1.00
5	SL4030881SC	SCREW M3 L=8		*		1.00
6	18201905	FEED PLATE A		*		1.00
7	18202002	BUTTON ADJUST A		*		8.00
8	SM4860501SC	SCREW M 2.6 X 5		*		8.00
9	WP0280500SC	WASHER		*		8.00
10	16573800	SCREW				1.00
11	16569204	REST				1.00
12	SM1041201SC	SCREW M4 L=12				2.00
13	SM1040601SC	SCREW M4X0.7 L=6				1.00
14	16573008	COLLAR				2.00
15	16571903	CLIP				1.00
16	PH0300185S0	PIN				1.00
17	16569600	GEAR				1.00
18	16569501	GENEVA				1.00
19	SM6030802TP	SCREW M3X0.5 L=8				2.00
20	18219501	DIVIDING MAIN SHAFT				1.00
21	16570103	WHEEL				1.00
22	16570202	SCREW				2.00
23	16570301	COLLAR				2.00
24	NM6040001SC	NUT M4				2.00
25	18204503	WING BOLT				1.00
26	16568909	COVER CAP				1.00
27	18200352	FEED PLATE CIRCLE 16 ASM.				1.00
28	16572703	METAL		*		1.00
29	18200303	FEED PLATE 16		*		1.00
30	16568404	FERRULE DISC				1.00
31	SM6052002TP	SCREW M5 L=20				1.00
32	WS0410002KN	SPRING WASHER				1.00
33	16570707	SENSOR BRACKET				1.00
34	SM6040802TR	SCREW M4X0.7 L=8				1.00
35	WS0410002KN	SPRING WASHER				1.00
36	WP0430800SC	WASHER M4				1.00
37	16570905	STAND PLATE (1)				1.00
38	SM6041202TP	SCREW M4X0.7 L=12				1.00
39	SM6051202TP	SCREW M5X0.8 L=12				1.00
40	18219600	GENEVA HOUSE				1.00
41	SM6051602TP	SCREW M5X0.8 L=16				3.00
42	SB110000400	BALL BEARING				1.00
43	16571507	WORM WHEEL				1.00
44	SM8050842TP	SETSCREW				1.00
45	16571804	BEARING A				1.00
46	16573909	THRUST COLLAR				2.00
47	GBR108560A0	DC MOTOR ASM.				1.00
48	16570509	THRUST COLLAR				1.00
49	16571408	NEEDLE BEARING				1.00
50	16570657	TURNING SHAFT ASM.				1.00



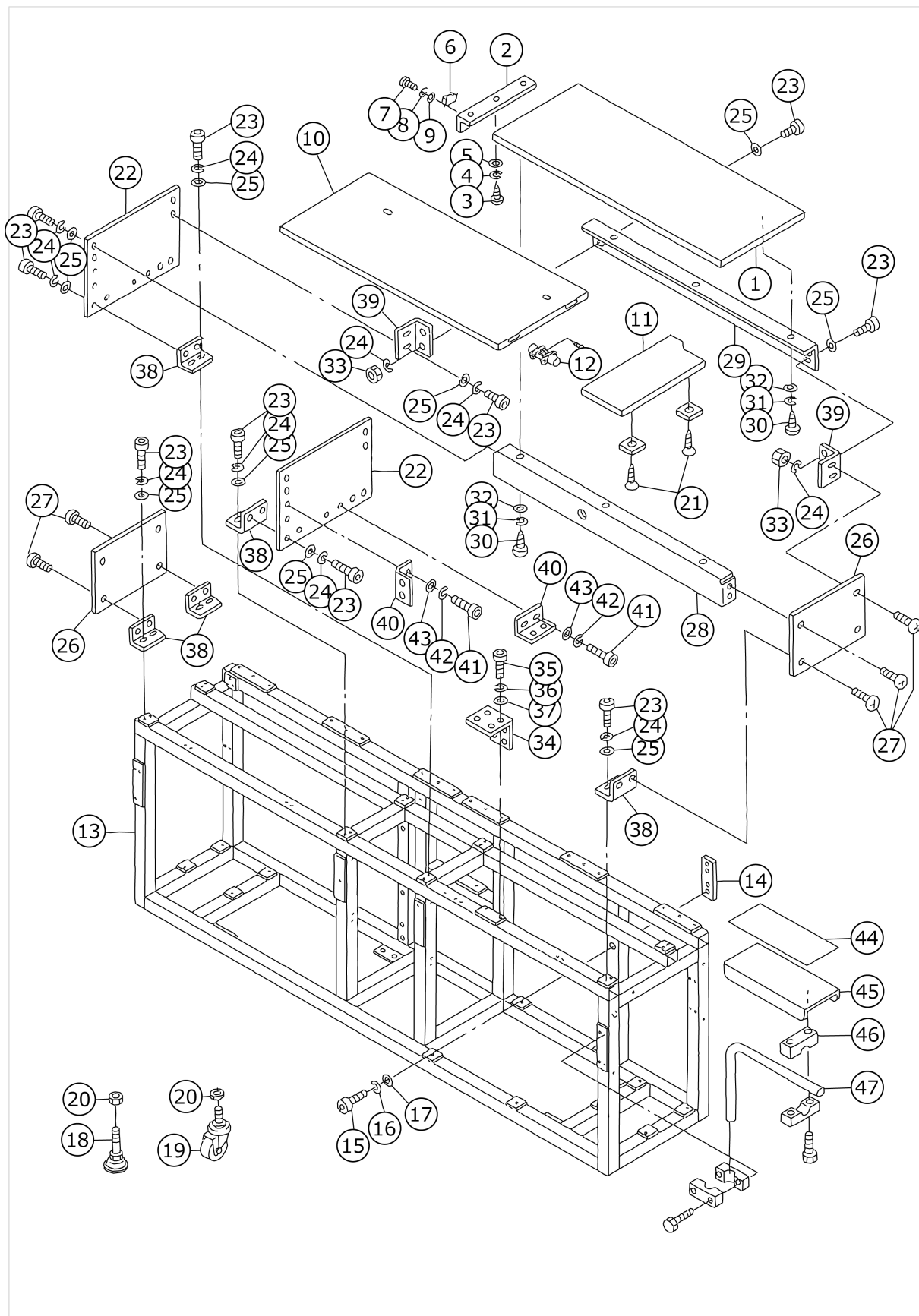
51	SM8040402TP	SCREW M4X0.7 L=4		*		2.00
52	18201103	HOLDING PLATE (SMALL)	OPTIONAL PARTS			1.00
53	SM6051202TP	SCREW M5X0.8 L=12				1.00
54	SM6041002TP	SCREW M4 L=10				1.00
55	B2107816000	WASHER				1.00
56	SM6030802TP	SCREW M3X0.5 L=8				4.00
57	WS0310002KN	SPRING WASHER M3				4.00
58	WP0320500SC	WASHER M3				4.00
59	16568651	FEED PLATE 22B ASM.	OPTIONAL PARTS			1.00
60	16568602	FEED PLATE 22B		*		1.00
61	16572703	METAL		*		1.00
62	18200956	FEED PLATE CIRCLE 13.5 ASM.	OPTIONAL PARTS			1.00
63	18200907	FEED PLATE 12.5		*		1.00
64	16572703	METAL		*		1.00
65	18212902	SENSOR COVER				1.00
66	SM0861201SA	SCREW				1.00
67	GBR108450A0	INDEX STARTING SWITCH ASM.		*		1.00
68	HX003390000	STUD				2.00
69	B3052816000	WASHER				2.00

# FEEDER BOWL COMPONENTS



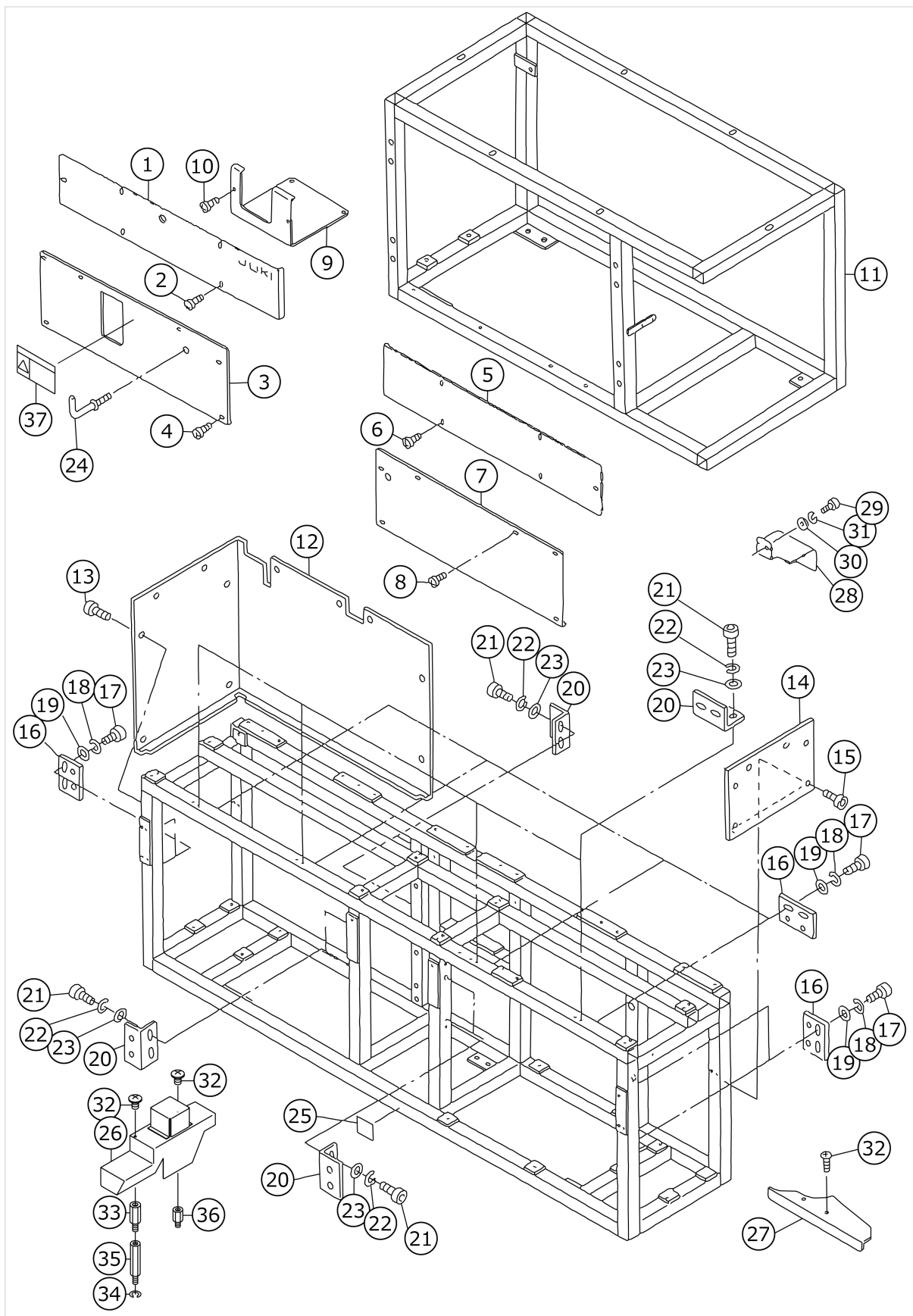
No.	品番	品名	備考	子部品	消耗品	個数
1	16577009	FEEDER BOWL				1.00
2	GBR01426000	GUIDE PLATE				1.00
3	SS4110815SP	SCREW 11/64-40 L=8				2.00
4	GBR01441000	BUTTON STANDING PREVENT PLATE				1.00
5	NM6060001SC	NUT M6				9.00
6	WP0641600SC	WASHEW 6.4X12.5X1.6				3.00
7	WS0610002KN	SPRING WASHER 6.1X12.2X1.5				3.00
8	SM0040801SF	SCREW M4X0.7 L=8				1.00
9	GBR01431000	BOWL FIXING KNOB				1.00
10	GBR01432000	BOWL FIXING SCREW				1.00
11	16577504	SELECTOR PLATE				1.00
12	SM4040801SN	SCREW M4 L=8				1.00
13	WP0430800SC	WASHER M4				1.00
14	GBR01428000	GUIDE PLATE				1.00
15	SM4051001SN	SCREW M5				1.00
16	16577207	P/F COVER				1.00
17	SM0040601SC	SCREW M4X0.7 L=6				4.00
18	16577108	P/F INSTALLING BASE				1.00
19	GBR01429000A	VIBRATION-PROOF RUBBER				3.00
20	16577306	MOUNTING BOLT				3.00
21	NM6080001SC	NUT M8X1.25				6.00
22	16577405	WASHER				6.00
23	18202408	BUTTON GUIDE A				1.00
24	WP0320500SC	WASHER M3				2.00
25	SM4030601SN	SCREW M3 X 6				2.00
26	GBR014220A0	SELECTION PLATE ASM. (SMALL)	OPTIONAL PARTS			1.00
27	18251553	SELECTION PLATE ASM. (VERY SMA				1.00
28	SM4040801SN	SCREW M4 L=8				1.00
29	WP0450801SD	WASHER 4.5X10X0.8				2.00
30	WP0531000SC	WASHER 5.3X10X1				1.00
31	WP0841601SC	WASHER 8.4X17.4X1.6				1.00

# FRAME COMPONENTS



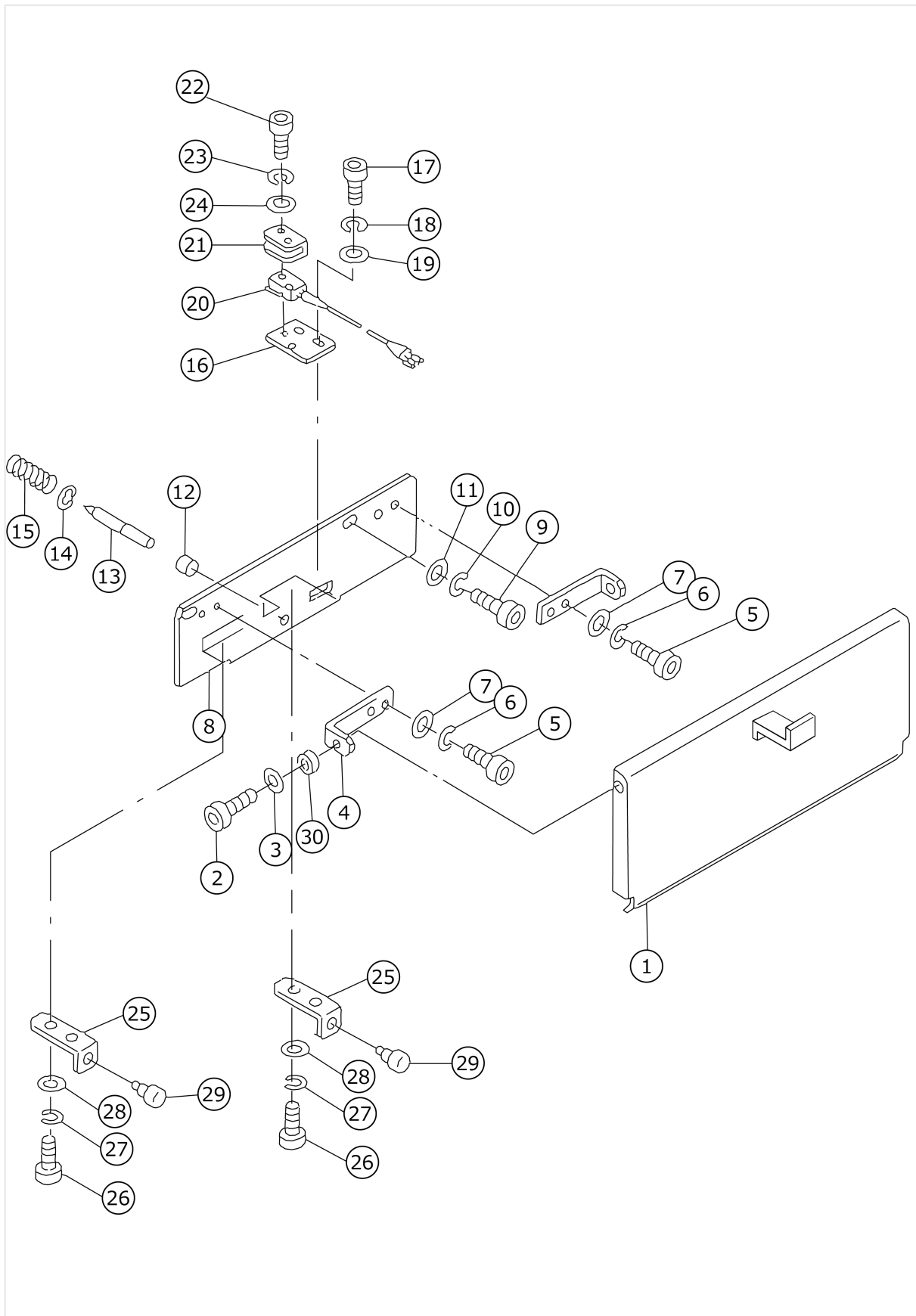
No.	品番	品名	備考	子部品	消耗品	個数
1	G5016164000	TABLE, RIGHT				1.00
2	G5018164000	BRACKET				1.00
3	SK3381601SC	WOOD SCREW D=3.8 L=16				3.00
4	WS0410002KN	SPRING WASHER				3.00
5	WP0430801SC	WASHER 4.3X9X0.8				3.00
6	G5045164000	MAGNET CATCH				2.00
7	SM6030602TP	SCREW M3X0.5 L=6				4.00
8	WS0310002KN	SPRING WASHER M3				4.00
9	WP0320501SC	WASHER M3				4.00
10	G5015164000	TABLE, LEFT				1.00
11	G5017164A00	MOVABLE TABLE				1.00
12	G5020164000	HINGE				2.00
13	G5001164000	BASE FRAME				1.00
14	G5041164000	CONNECTING PLATE				4.00
15	SM6082002TN	SCREW M8 L=20				16.00
16	WS0820002KN	SPRING WASHER M8				16.00
17	WP0841601SC	WASHER 8.4X17.4X1.6				16.00
18	G5033172000	ADJUSTER				4.00
19	G5032164000	CASTER				6.00
20	NM6160001SC	NUT				10.00
21	SK1271301SD	WOOD SCREW D=2.7 L=13				2.00
22	G5002164000	TABLE SUPPORT PLATE INNER				2.00
23	SM6061202TP	SCREW M6 L=12				36.00
24	WS0610002KN	SPRING WASHER 6.1X12.2X1.5				36.00
25	WP0641601SC	WASHER				36.00
26	G5003164000	TABLE SUPPORT PLATE OUTER				2.00
27	SM0060801SA	SCREW				8.00
28	G5004164000	TABLE SUPPORT, FRONT				2.00
29	G5005164000	TABLE SUPPORT, REAR				2.00
30	SK3381601SC	WOOD SCREW D=3.8 L=16				12.00
31	WS0410002KN	SPRING WASHER				12.00
32	WP0430801SC	WASHER 4.3X9X0.8				12.00
33	NM6060001SC	NUT M6				4.00
34	G5028164000	INSTALLING PLATE				1.00
35	SM6061202TP	SCREW M6 L=12				2.00
36	WS0610002KN	SPRING WASHER 6.1X12.2X1.5				2.00
37	WP0641601SC	WASHER				2.00
38	G5038171000	SIDE PLATE SUPPORT				8.00
39	G5045171000	SIDE PLATE HOLDER				4.00
40	G5034171000	COVER SUPPORT				14.00
41	SM6040802TP	SCREW M4X0.7 L=8				28.00
42	WS0410002KN	SPRING WASHER				28.00
43	WP0430801SC	WASHER 4.3X9X0.8				28.00
44	G5022164000	CUSHION				1.00
45	G5021164000	CLOTH TABLE				1.00
46	B1141229000	OPERATION BOX STRUT CLAMP				4.00
47	G5023164000	STAY				1.00

# COVER COMPONENTS



No.	品番	品名	備考	子部品	消耗品	個数
1	G5034164000	RIGHT UPPER COVER				1.00
2	SM0040601SA	SCREW				5.00
3	G5036164000	RIGHT LOWER COVER				1.00
4	SM0040601SA	SCREW				6.00
5	G5033164000	LEFT UPPER COVER				1.00
6	SM0040601SA	SCREW				5.00
7	G5035164000	LEFT LOWER COVER				1.00
8	SM0040601SA	SCREW				6.00
9	G5039164A00	MIDDLE COVER				1.00
10	SM0040601SA	SCREW				2.00
11	G5401164A00	MACHINE BASE				1.00
12	G5037164000	LEFT SIDE COVER				1.00
13	SM0040601SA	SCREW				11.00
14	G5038164000	RIGHT SIDE COVER				1.00
15	SM0040601SA	SCREW				6.00
16	G5040164000	COVER SUPPORT, B				8.00
17	SM6040802TP	SCREW M4X0.7 L=8				16.00
18	WS0410002KN	SPRING WASHER				16.00
19	WP0430801SC	WASHER 4.3X9X0.8				16.00
20	G5034171000	COVER SUPPORT				14.00
21	SM6040802TP	SCREW M4X0.7 L=8				28.00
22	WS0410002KN	SPRING WASHER				28.00
23	WP0430801SC	WASHER 4.3X9X0.8				28.00
24	G5026162000	HOOK				1.00
25	16870206	GRAVITY SEAL				1.00
26	18228007	COVER				1.00
27	18222604	FRONT COVER A				1.00
28	16586307	COVER,REAR				1.00
29	SM6041002TP	SCREW M4 L=10				2.00
30	WP0430800SC	WASHER M4				2.00
31	WS0410002KN	SPRING WASHER				2.00
32	SM0040601SA	SCREW				2.00
33	18228106	SPACER B				1.00
34	WS0410002KN	SPRING WASHER				1.00
35	HX00339000B	BOARD PARTS				1.00
36	HX003390000	STUD				1.00
37	CM300200202	SAFETY LABEL 2 (LARGE)	FOR JAPAN			1.00

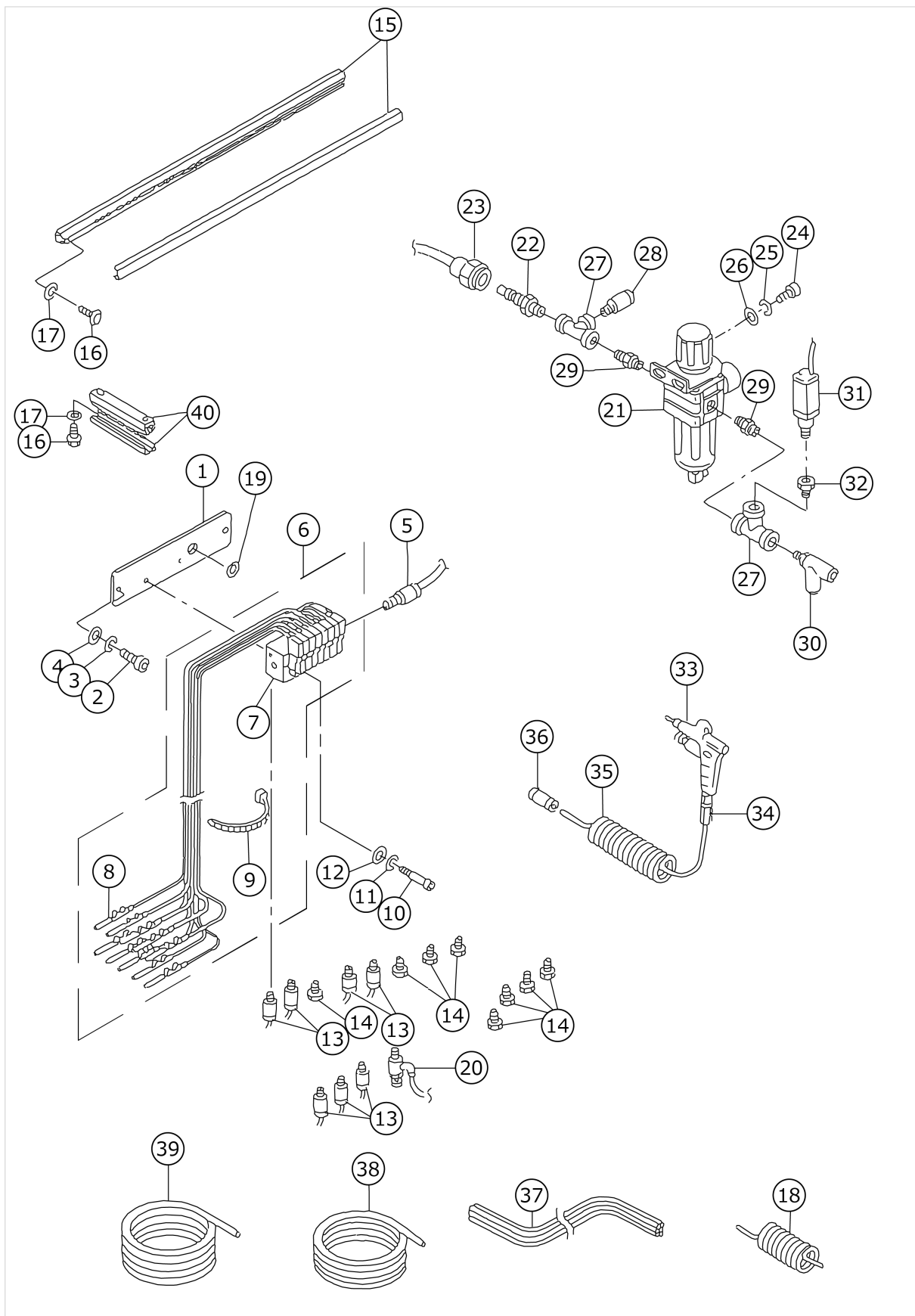
# COVER & KNEE SWITCH COMPONENTS





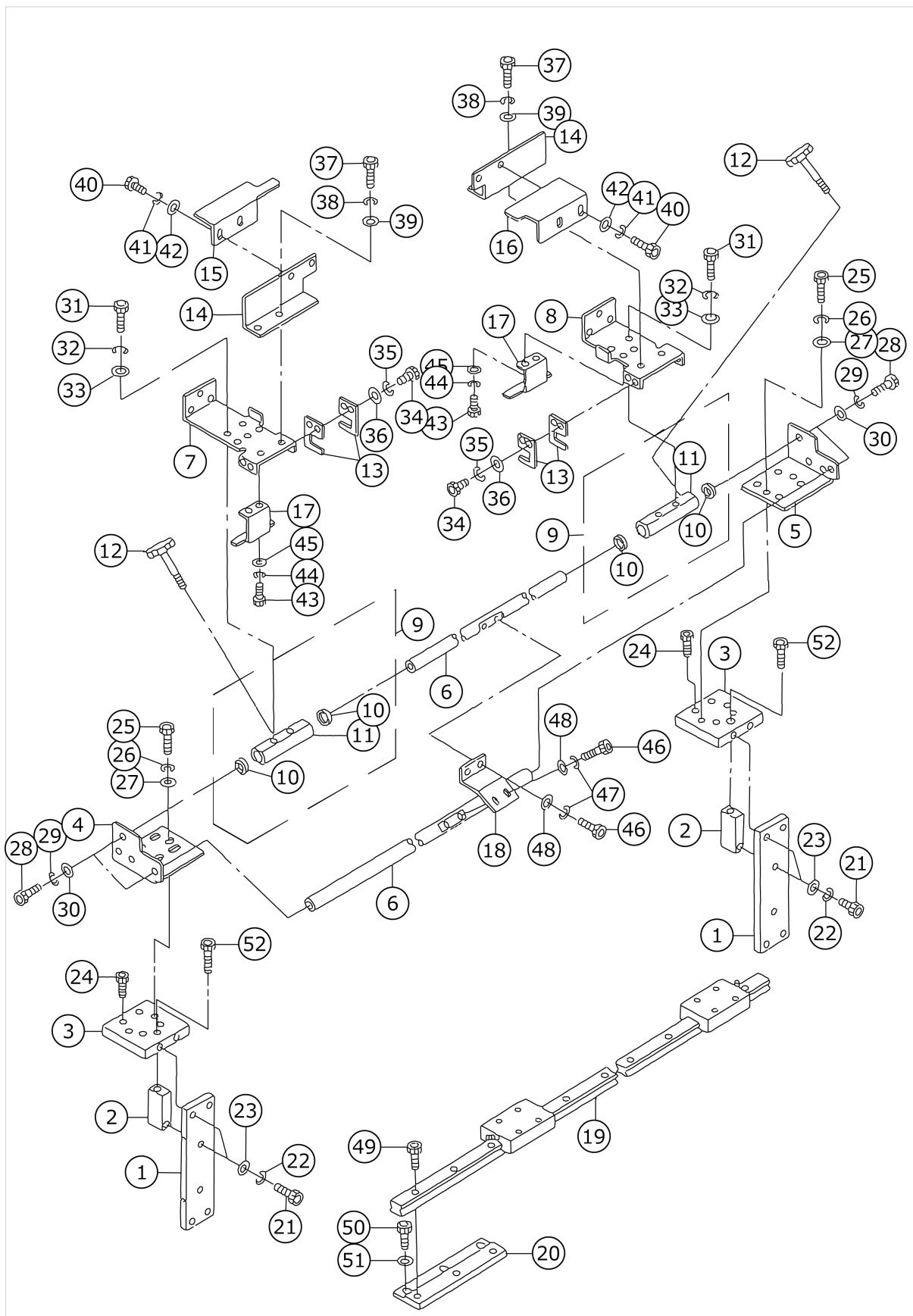
No.	品番	品名	備考	子部品	消耗品	個数
1	G5025164000	START SWITCH PLATE				1.00
2	SM6061202TP	SCREW M6 L=12				2.00
3	WP0641601SC	WASHER				2.00
4	G5027164000	START SWITCH SHAFT PLATE				2.00
5	SM6040802TP	SCREW M4X0.7 L=8				4.00
6	WS0410002KN	SPRING WASHER				4.00
7	WP0430801SC	WASHER 4.3X9X0.8				4.00
8	G5024164000	INSTALLING PLATE				1.00
9	SM6061202TP	SCREW M6 L=12				2.00
10	WS0610002KN	SPRING WASHER 6.1X12.2X1.5				2.00
11	WP0641601SC	WASHER				2.00
12	G5138161000	RUBBER CAP				1.00
13	G5026164000	START SWITCH ROD				1.00
14	RE0400000K0	E-RING 4				1.00
15	G5019171000	SPRING				1.00
16	G5020171000	SWITCH HOLDER				1.00
17	SM6040802TP	SCREW M4X0.7 L=8				2.00
18	WS0410002KN	SPRING WASHER				2.00
19	WP0430801SC	WASHER 4.3X9X0.8				2.00
20	G61041640A0	START SW ASM.				1.00
21	MAO11602N00	MICRO-SWITCH COVER				1.00
22	SM6031602TP	SCREW				2.00
23	WS0310002KN	SPRING WASHER M3				2.00
24	WP0320501SC	WASHER M3				2.00
25	G5009162000	STOPPER PLATE				2.00
26	SM6040802TP	SCREW M4X0.7 L=8				4.00
27	WS0410002KN	SPRING WASHER				4.00
28	WP0430801SC	WASHER 4.3X9X0.8				4.00
29	G5021171000	RUBBER CUSHION				2.00
30	B2544280000	WASHER, FOR WORK CLAMP FOOT HO				2.00

# SOLENOID VALVE & REGULATOR COMPONENTS



No.	品番	品名	備考	子部品	消耗品	個数
1	G5029164000	SOLENOID VALVE PLATE				1.00
2	SM6061202TP	SCREW M6 L=12				2.00
3	WS0610002KN	SPRING WASHER 6.1X12.2X1.5				2.00
4	WP0641601SC	WASHER				2.00
5	PJ301065103	HALF UNION 6XPT1/8				1.00
6	G64011640A0	SOLENOID VALVE ASM. (1)				1.00
7	PV1551080A0	SOLENOID VALVE		*		1.00
8	HK03464000A	TERMINAL, FEMALE		*		16.00
9	EA9500B0100	CABLE BAND		*		2.00
10	SM6033052TP	SCREW				2.00
11	WS0310002KN	SPRING WASHER M3				2.00
12	WP0320501SC	WASHER M3				2.00
13	PJ301040504	JOINTING				8.00
14	PJ020500001	PLUG				8.00
15	G6802164000	DUCT, B				1.00
16	SL4041081SF	SCREW M4 L=10				6.00
17	WP0450801SD	WASHER 4.5X10X0.8				6.00
18	G5046164000	TUBE				1.00
19	HX00055000J	RUBBER BUSHING				1.00
20	PC010514000	SPEED CONTROLLER				1.00
21	PF0552090A0	REGULATOR ASM.				1.00
22	PJ309005203	QUICK JOINT PLUG				1.00
23	PJ309005201	PLUG				1.00
24	SM6061202TP	SCREW M6 L=12				2.00
25	WS0610002KN	SPRING WASHER 6.1X12.2X1.5				2.00
26	WP0641601SC	WASHER				2.00
27	PJ050525201	TEE				2.00
28	PJ301065201	HALF UNION 6XPT1/4				1.00
29	PJ030520001	RING JOINT (NIPPLE)				2.00
30	PJ305065201	TEE UNION				1.00
31	G61071640A0	AIR PRESSURE SENSOR SW ASM.				1.00
32	PJ015251001	BUSHING				1.00
33	16111403	AIR GUN				1.00
34	16111502	SOCKET				1.00
35	G5458116000	CURLED TUBE				1.00
36	PJ303060001	STRAIGHT UNION				1.00
37	G5841270000	TUBE				5.00
38	BT0600401EB	TUBE				5.00
39	BT0400251EB	URETHANE HOSE, BLACK				3.00
40	G6801164000	DUCT, A				2.00

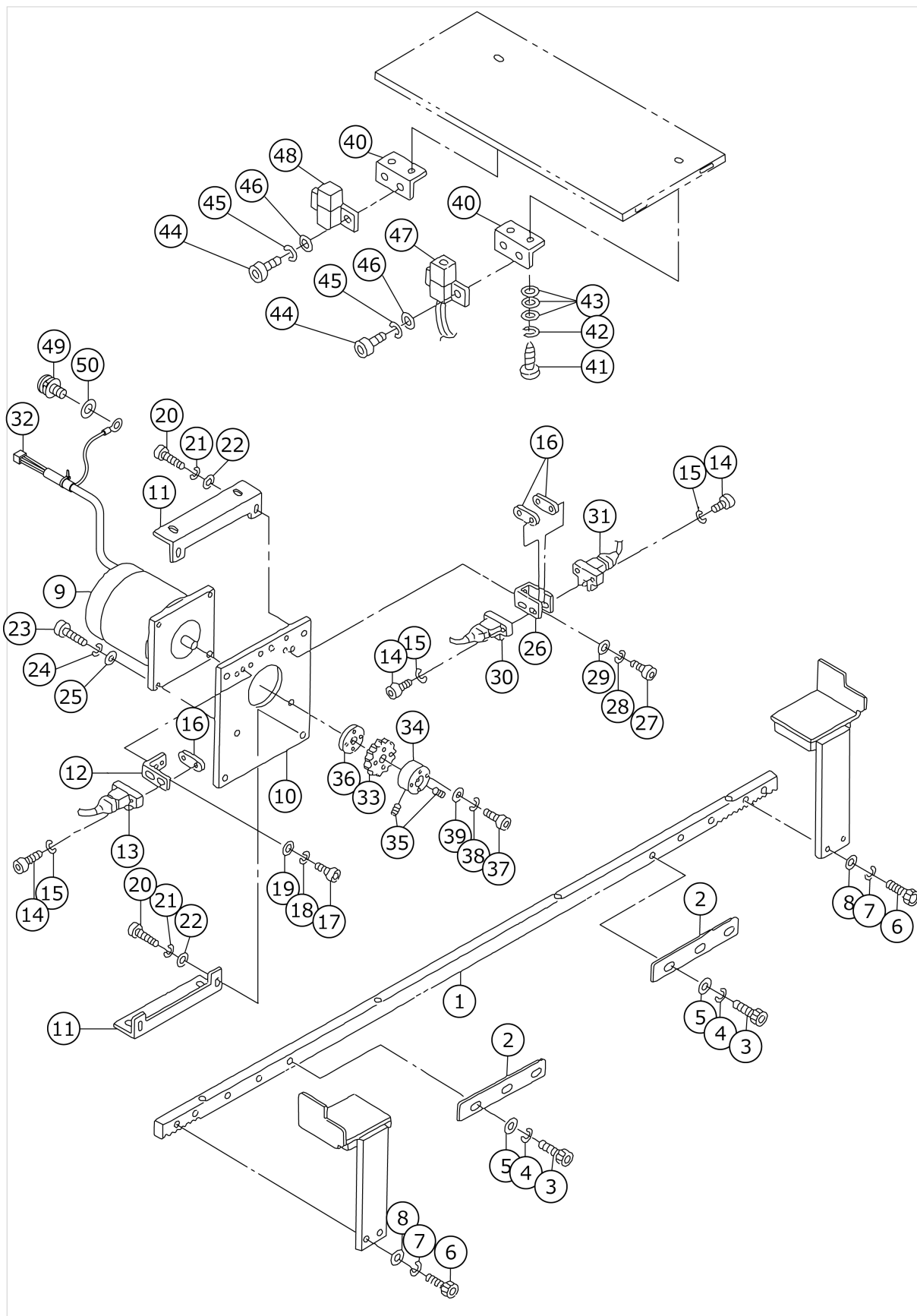
# FEED MECHANISM COMPONENTS



No.	品番	品名	備考	子部品	消耗品	個数
1	G5103164000	STAND				2.00
2	G5104164000	STAND SUPPORT				2.00
3	G5105164000	LM BASE				2.00
4	G5106164000	SLIDER SHAFT SUPPORT, LEFT				1.00
5	G5107164000	SLIDER SHAFT SUPPORT, RIGHT				1.00
6	G5108164000	SLIDER SHAFT				2.00
7	G5109164000	FEEDER MAIN FRAME				1.00
8	G5110164000	FEEDER MAIN FRAME, RIGHT				1.00
9	G51111640A0	SLIDER SHAFT BLOCK ASM.				2.00
10	G5113164000	BUSH		*		4.00
11	G5112164000	SLIDER SHAFT HOLDER		*		2.00
12	G5114164000	BUSH				2.00
13	G5115164000	FIXED PLATE				4.00
14	G5120164000	PLATE SUPPORT				2.00
15	G5121164000	CLAMP PLATE, LEFT				1.00
16	G5122164000	CLAMP PLATE, RIGHT				1.00
17	G5123164000	SENSOR PLATE				2.00
18	G5134164000	COUPLING PLATE				1.00
19	G5010164000	FEED RAIL				1.00
20	G5009164000	FEED RAIL SUPPORT PLATE				6.00
21	SM6062002TP	SCREW M6 L=20				6.00
22	WS0610002KN	SPRING WASHER 6.1X12.2X1.5				6.00
23	WP0641601SC	WASHER				6.00
24	SM6051202TP	SCREW M5X0.8 L=12				8.00
25	SM6061202TP	SCREW M6 L=12				4.00
26	WS0610002KN	SPRING WASHER 6.1X12.2X1.5				4.00
27	WP0641601SC	WASHER				4.00
28	SM6061602TP	SCREW M6 L=16				4.00
29	WS0610002KN	SPRING WASHER 6.1X12.2X1.5				4.00
30	WP0641601SC	WASHER				4.00
31	SM6061002TP	SCREW M6 L=10				4.00
32	WS0610002KN	SPRING WASHER 6.1X12.2X1.5				4.00
33	WP0641601SC	WASHER				4.00
34	SM6041002TP	SCREW M4 L=10				4.00
35	WS0410002KN	SPRING WASHER				4.00
36	WP0430801SC	WASHER 4.3X9X0.8				4.00
37	SM6040802TP	SCREW M4X0.7 L=8				4.00
38	WS0410002KN	SPRING WASHER				4.00
39	WP0430801SC	WASHER 4.3X9X0.8				4.00
40	SM6040802TP	SCREW M4X0.7 L=8				4.00
41	WS0410002KN	SPRING WASHER				4.00
42	WP0430801SC	WASHER 4.3X9X0.8				4.00
43	SM6040802TP	SCREW M4X0.7 L=8				4.00
44	WS0410002KN	SPRING WASHER				4.00
45	WP0430801SC	WASHER 4.3X9X0.8				4.00
46	SM6061202TP	SCREW M6 L=12				4.00
47	WS0610002KN	SPRING WASHER 6.1X12.2X1.5				4.00
48	WP0641601SC	WASHER				4.00
49	SM6051202TP	SCREW M5X0.8 L=12				18.00
50	SM6051202TP	SCREW M5X0.8 L=12				18.00

51	WP0621016SH	WASHER				18.00
52	SM6062002TP	SCREW M6 L=20				2.00

# FEED MECHANISM DRIVE & SWITCH COMPONENTS

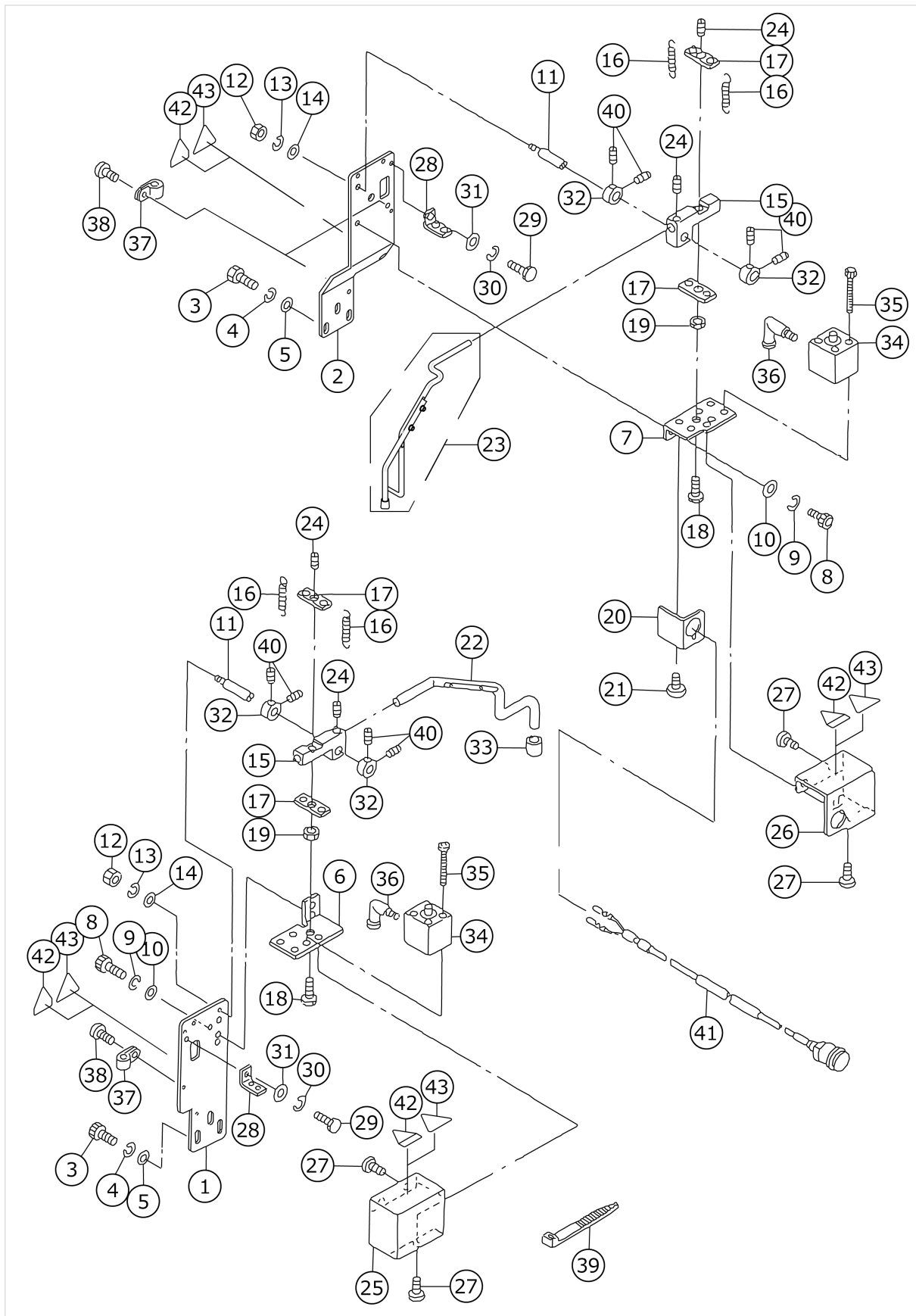


No.	品番	品名	備考	子部品	消耗品	個数
1	G5101164000	RACK				1.00
2	G5102164000	ORIGINAL POINT SENSOR PLATE				2.00
3	SM6040802TP	SCREW M4X0.7 L=8				6.00
4	WS0410002KN	SPRING WASHER				6.00
5	WP0430801SC	WASHER 4.3X9X0.8				6.00
6	SM6062002TP	SCREW M6 L=20				4.00
7	WS0610002KN	SPRING WASHER 6.1X12.2X1.5				4.00
8	WP0641601SC	WASHER				4.00
9	HM000570000	STEPPING MOTOR				1.00
10	G5012164000	PM INSTALLING PLATE				1.00
11	G5011164000	PM FIXED BASE				2.00
12	G5013164000	SENSOR INSTALLING PLATE				1.00
13	G61021640A0	SPEED TRANSMISSION SENSOR SW				1.00
14	SM6031502TP	SCREW M3 X 15				6.00
15	WS0310002KN	SPRING WASHER M3				6.00
16	G5153171000	SENSOR PLATE				3.00
17	SM6040802TP	SCREW M4X0.7 L=8				2.00
18	WS0410002KN	SPRING WASHER				2.00
19	WP0430801SC	WASHER 4.3X9X0.8				2.00
20	SM6061202TP	SCREW M6 L=12				4.00
21	WS0610002KN	SPRING WASHER 6.1X12.2X1.5				4.00
22	WP0641601SC	WASHER				4.00
23	SM6082502TN	BOLT				4.00
24	WS0820002KN	SPRING WASHER M8				4.00
25	WP0841601SC	WASHER 8.4X17.4X1.6				4.00
26	G5014164000	SENSOR INSTALLING PLATE				1.00
27	SM6040802TP	SCREW M4X0.7 L=8				2.00
28	WS0410002KN	SPRING WASHER				2.00
29	WP0430801SC	WASHER 4.3X9X0.8				2.00
30	G61011640A0	HOME POSITION SENSOR SW ASM.				1.00
31	G61031640A0	DISCRIMINATION SW ASM.				1.00
32	G65021640A0	PULCE MOTOR CORD ASM.				1.00
33	G5109171000	FEED BLOCK GEAR				1.00
34	G5110171000	BOSS				1.00
35	SM8060802TP	SCREW M6 L=8				2.00
36	G5111171000	GEAR HOLDER				1.00
37	SM6033052TP	SCREW				4.00
38	WS0310002KN	SPRING WASHER M3				4.00
39	WP0320501SC	WASHER M3				4.00
40	G5019164000	SENSOR INSTALLING PLATE				2.00
41	SK3311301SA	WOOD SCREW D=3.1 L=13				4.00
42	WS0410002KN	SPRING WASHER				4.00
43	WP0430801SC	WASHER 4.3X9X0.8				12.00
44	SM6030802TP	SCREW M3X0.5 L=8				4.00
45	WS0310002KN	SPRING WASHER M3				4.00
46	WP0320501SC	WASHER M3				4.00
47	G61101640A0	CLOTH EDGE SENSOR 1 ASM.				1.00
48	G61111640A0	CLOTH EDGE SENSOR 2 ASM.				1.00
49	SL4041081SF	SCREW M4 L=10				1.00
50	WT0430001KN	TOOTHED WASHER				1.00



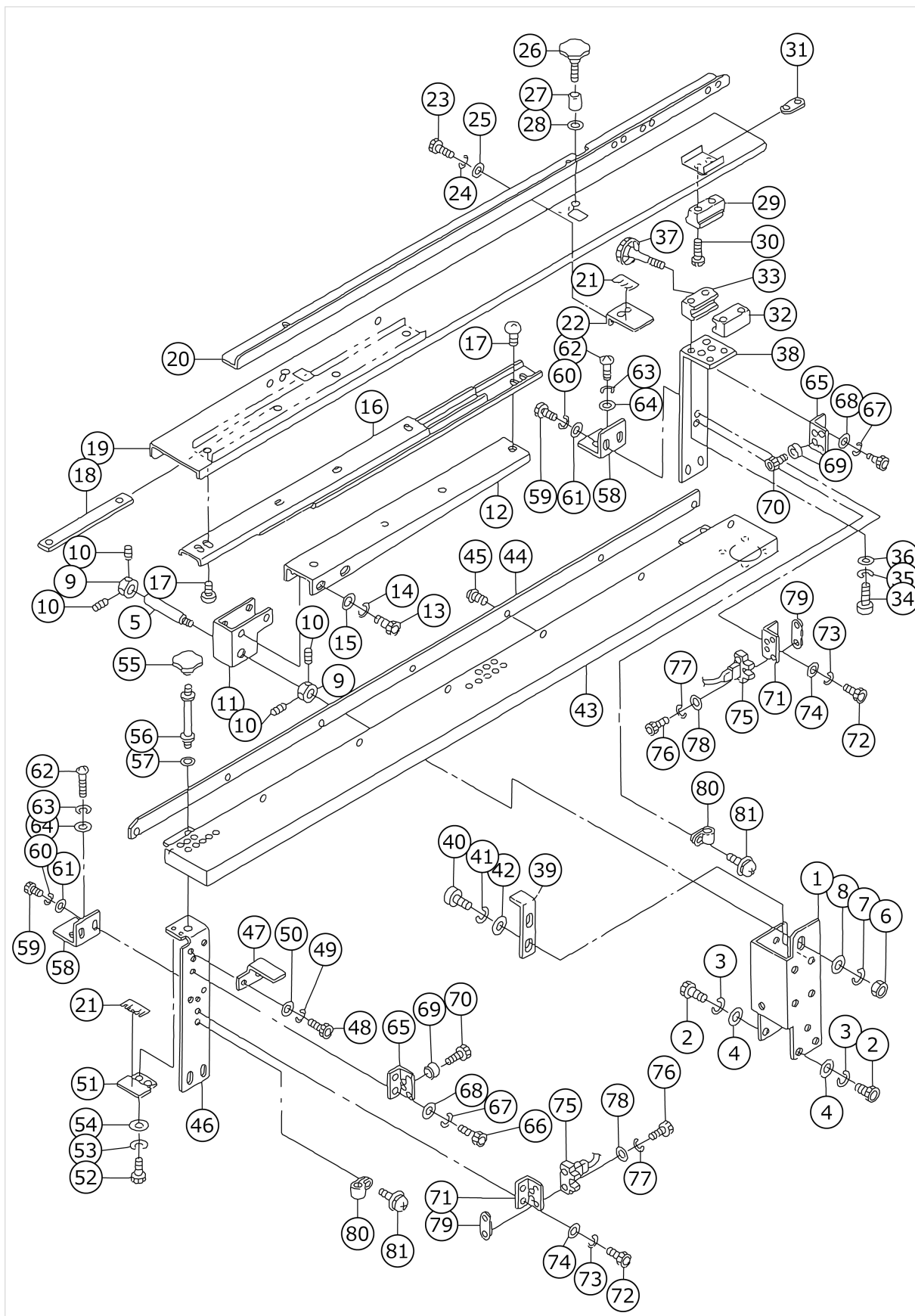


# CLAMP ARM COMPONENTS



No.	品番	品名	備考	子部品	消耗品	個数
1	G5116164000	CLAMP PLATE, LEFT				1.00
2	G5117164000B	CLAMP FITTING BASE RIGHT				1.00
3	SM6061202TP	SCREW M6 L=12				6.00
4	WS0610002KN	SPRING WASHER 6.1X12.2X1.5				6.00
5	WP0641601SC	WASHER				6.00
6	G5118164000	CLAMP CYLINDER PLATE, LEFT				1.00
7	G5119164000	CLAMP CYLINDER PLATE, RIGHT				1.00
8	SM6061202TP	SCREW M6 L=12				4.00
9	WS0610002KN	SPRING WASHER 6.1X12.2X1.5				4.00
10	WP0641601SC	WASHER				4.00
11	G5124164000	CLAMP SHAFT				2.00
12	NM6060001SC	NUT M6				2.00
13	WS0610002KN	SPRING WASHER 6.1X12.2X1.5				2.00
14	WP0641601SC	WASHER				2.00
15	G5125164000	CLAMP HOLDER				2.00
16	G5126164000	SPRING				4.00
17	G5127164000	SPRING HOOK				4.00
18	G5128164000	TENSION BOLT				2.00
19	NM6060001SC	NUT M6				2.00
20	G5129164000	SWITCH INSTALLING PLATE				1.00
21	G5144162000	SCREW				2.00
22	G5130164A00	CLAMP, LEFT				1.00
23	G5131164A00	CLAMP FOOT ASM., RIGHT				1.00
24	SM8040402TP	SCREW M4X0.7 L=4				4.00
25	G5132164000	CLAMP COVER, LEFT				1.00
26	G5133164000	CLAMP COVER, RIGHT				1.00
27	G5144162000	SCREW				6.00
28	B4131357000	NEEDLE GUARD ADJUSTING GUIDE				2.00
29	SM9041050SC	SCREW M4X0.7 L=10				2.00
30	WS0410002KN	SPRING WASHER				2.00
31	WP0430801SC	WASHER 4.3X9X0.8				2.00
32	G2526270000	COLLAR				4.00
33	G5138161000	RUBBER CAP				1.00
34	PA160100500	AIR CYLINDER				2.00
35	SM6033052TP	SCREW				8.00
36	PJ304040504	ELBOW UNION				2.00
37	HX00150000A	CABLE CLAMP				4.00
38	SM0040601SA	SCREW				4.00
39	EA9500B0100	CABLE BAND				6.00
40	SM8040402TP	SCREW M4X0.7 L=4				8.00
41	G61121640A0	CLOTH PRESSER CANCELLATION SW				1.00
42	CM3002000B2	LABEL(25).	FOR JAPAN			4.00
43	CM300200003	ATTENTION LABEL	FOR JE			4.00

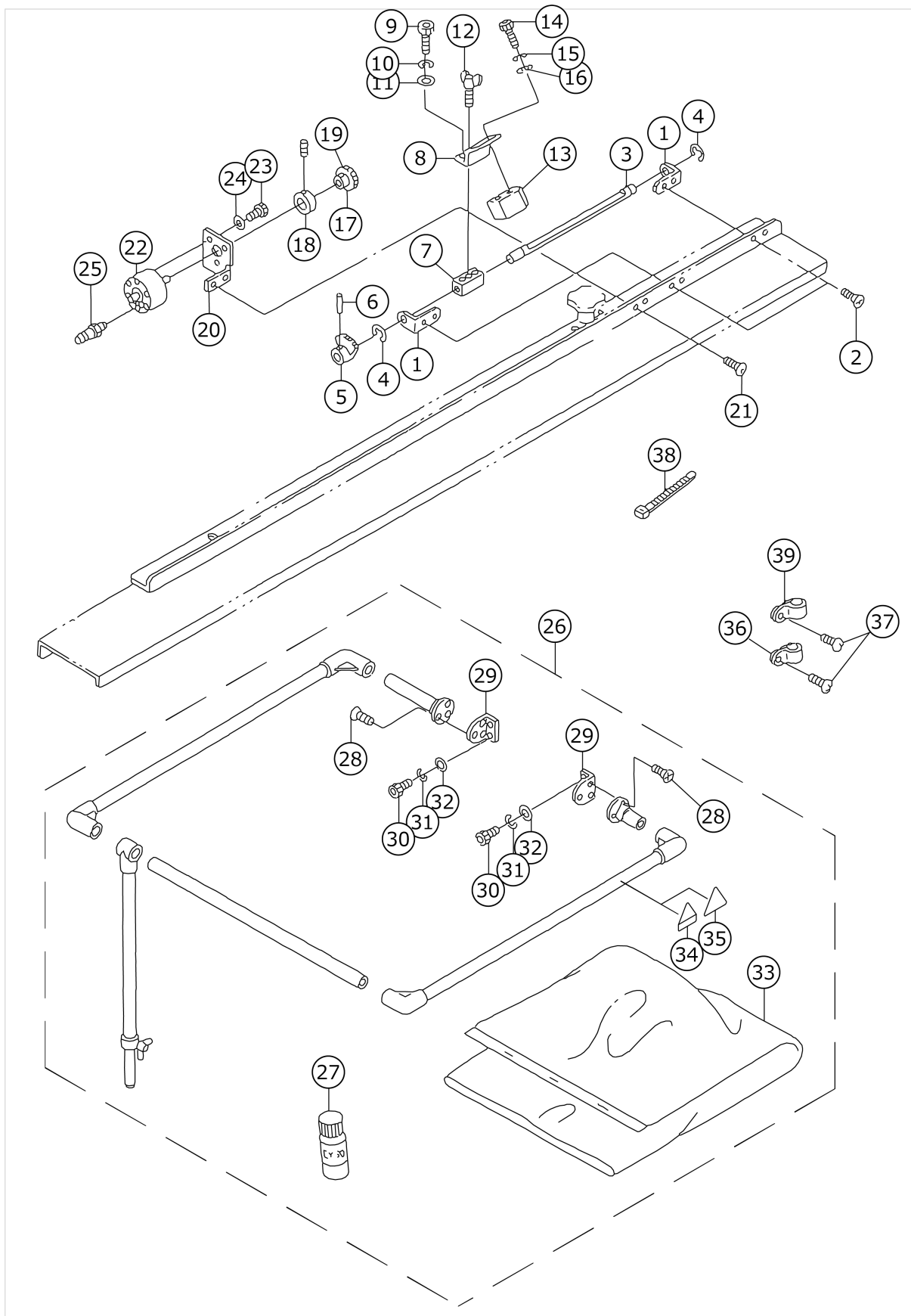
# SET PLATE COMPONENTS



No.	品番	品名	備考	子部品	消耗品	個数
1	G5301164000	LEFT INSTALLING BASE				1.00
2	SM6061202TP	SCREW M6 L=12				6.00
3	WS0610002KN	SPRING WASHER 6.1X12.2X1.5				6.00
4	WP0641601SC	WASHER				6.00
5	G5302164000	TURNING SHAFT				1.00
6	NM6080001SC	NUT M8X1.25				1.00
7	WS0820002KN	SPRING WASHER M8				1.00
8	WP0841601SC	WASHER 8.4X17.4X1.6				1.00
9	G2543270000	SHAFT STOP COLLAR A				2.00
10	SM8040402TP	SCREW M4X0.7 L=4				4.00
11	G5303164000	RAIL INSTALLING PLATE BRACKET				1.00
12	G5304164000	RAIL INSTALLING PLATE				1.00
13	SM6061202TP	SCREW M6 L=12				4.00
14	WS0610002KN	SPRING WASHER 6.1X12.2X1.5				4.00
15	WP0641601SC	WASHER				4.00
16	G5305164000	SLIDER RAIL				1.00
17	SM0040601SA	SCREW				8.00
18	G5306164000	RAIL FIXED PLATE				2.00
19	G5307164000	SET PLATE, LEFT				1.00
20	G5308164000	GUIDE, LEFT				1.00
21	G5309164000	SCALE				4.00
22	G5310164000	SCALE PLATE, LEFT				2.00
23	SM6040802TP	SCREW M4X0.7 L=8				4.00
24	WS0410002KN	SPRING WASHER				4.00
25	WP0430801SC	WASHER 4.3X9X0.8				4.00
26	G5311164000	KNOB, MALE				2.00
27	G5312164000	COLLAR				2.00
28	WP0641601SC	WASHER				2.00
29	G5315164000	BLOCK				1.00
30	SM6040802TP	SCREW M4X0.7 L=8				2.00
31	G5146171000	CLAMP FIXING PLATE				1.00
32	G5313164000	BLOCK.A				1.00
33	G5314164000	BLOCK B				1.00
34	SM6041202TP	SCREW M4X0.7 L=12				4.00
35	WS0410002KN	SPRING WASHER				4.00
36	WP0430801SC	WASHER 4.3X9X0.8				4.00
37	G5316164000	FIXED SCREW				1.00
38	G5006164000	SET PLATE SUPPORT, LEFT				1.00
39	G5332164000	STOPPER				1.00
40	SM6061202TP	SCREW M6 L=12				2.00
41	WS0610002KN	SPRING WASHER 6.1X12.2X1.5				2.00
42	WP0641601SC	WASHER				2.00
43	G5327164000	SET PLATE, RIGHT				1.00
44	G5328164000	GUIDE, RIGHT				1.00
45	SM0030601SA	SCREW M3X0.5 L=6				7.00
46	G5007164A00	SUPPORT PLATE				1.00
47	G5030164000	SUPPORT PLATE				1.00
48	SM6061202TP	SCREW M6 L=12				2.00
49	WS0610002KN	SPRING WASHER 6.1X12.2X1.5				2.00
50	WP0641601SC	WASHER				2.00

51	G5329164000	SCALE PLATE, RIGHT				2.00
52	SM6040602TP	SCREW M4 L=6				4.00
53	WS0410002KN	SPRING WASHER				4.00
54	WP0430801SC	WASHER 4.3X9X0.8				4.00
55	G5330164000	KNOB, FEMALE				2.00
56	G5331164000	HANDLE EXTENSION				2.00
57	WP0641601SC	WASHER				2.00
58	G5403164000	FIXED PLATE				3.00
59	SM6061002TP	SCREW M6 L=10				6.00
60	WS0610002KN	SPRING WASHER 6.1X12.2X1.5				6.00
61	WP0641601SC	WASHER				6.00
62	SK3381601SC	WOOD SCREW D=3.8 L=16				6.00
63	WS0410002KN	SPRING WASHER				6.00
64	WP0430801SC	WASHER 4.3X9X0.8				6.00
65	G5008164000	STOPPER				2.00
66	SM6040802TP	SCREW M4X0.7 L=8				4.00
67	WS0410002KN	SPRING WASHER				4.00
68	WP0430801SC	WASHER 4.3X9X0.8				4.00
69	G5384171000	RUBBER FOOT				2.00
70	SM6031002TP	HEXAGONAL BOLT M3 X 10				2.00
71	G5008164000	STOPPER				2.00
72	SM6040802TP	SCREW M4X0.7 L=8				4.00
73	WS0410002KN	SPRING WASHER				4.00
74	WP0430801SC	WASHER 4.3X9X0.8				4.00
75	G61051640A0	PRESSER POSITION SW ASM.				2.00
76	SM6031502TP	SCREW M3 X 15				4.00
77	WS0310002KN	SPRING WASHER M3				4.00
78	WP0320501SC	WASHER M3				4.00
79	G5153171000	SENSOR PLATE				2.00
80	HX001500000	CLIP				2.00
81	SL4041081SF	SCREW M4 L=10				2.00

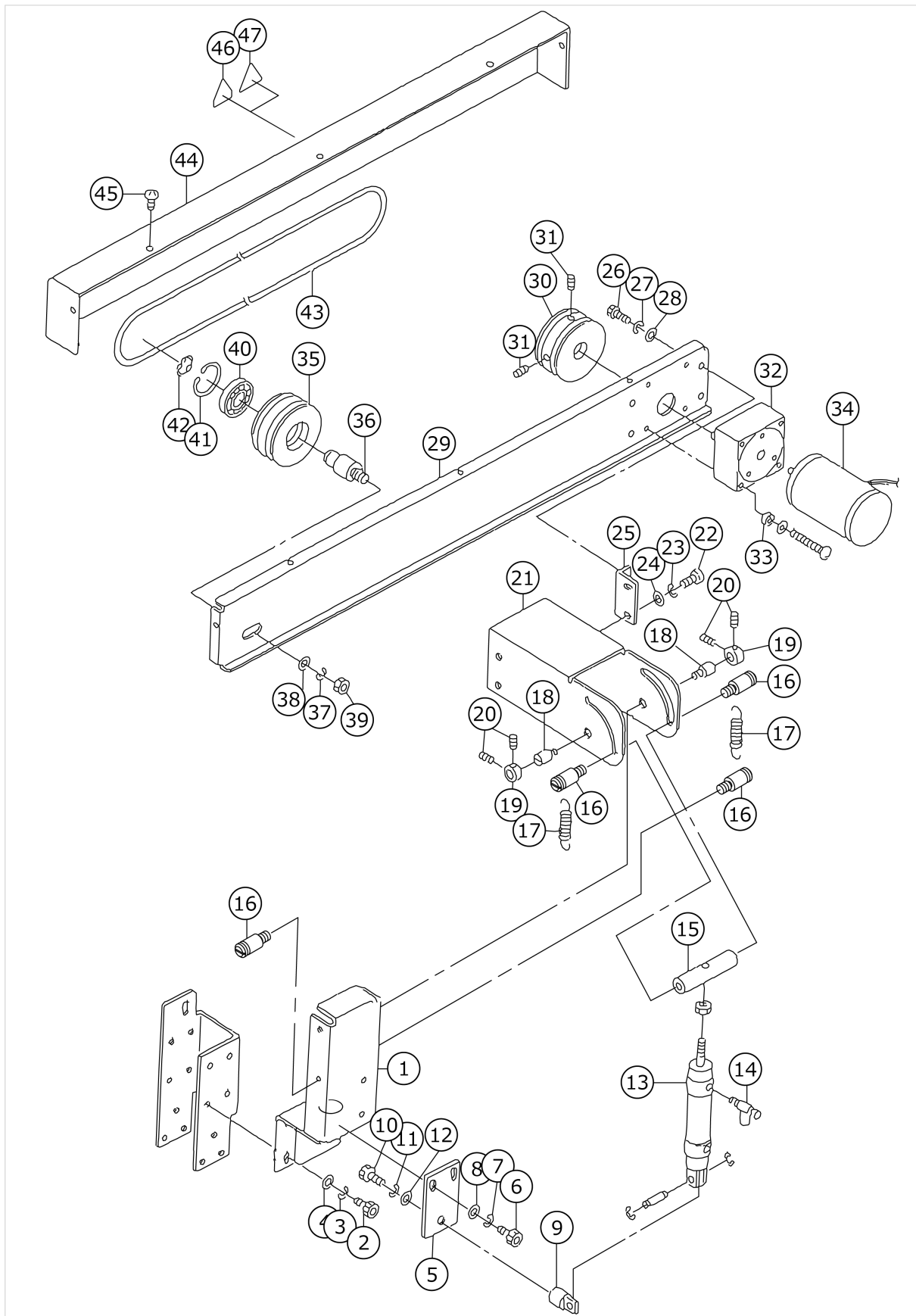
# GAUGE & STACKER GUARD COMPONENTS



No.	品番	品名	備考	子部品	消耗品	個数
1	G5317164000	BRACKET				2.00
2	SM1030601SC	SCREW M3 L=6				4.00
3	G5318164000	GAUGE SHAFT				1.00
4	RE0400000K0	E-RING 4				2.00
5	G5321164000	GAUGE DRIVEN GEAR				1.00
6	PS0160122KH	SPRING PIN 1.6X12				1.00
7	G5323164000	GAUGE BLOCK				1.00
8	G5324164000	GAUGE INSTALLING PLATE				1.00
9	SM6040602TP	SCREW M4 L=6				2.00
10	WS0410002KN	SPRING WASHER				2.00
11	WP0430801SC	WASHER 4.3X9X0.8				2.00
12	G5326164000	SCREW				1.00
13	G5325164000	GAUGE (FOR MAN)				1.00
14	SM6031202TP	SCREW M3X0.5 L=12				2.00
15	WS0310002KN	SPRING WASHER M3				2.00
16	WP0320501SC	WASHER M3				2.00
17	G5319164000	GEAR				1.00
18	G5320164000	RETAINING RING				1.00
19	SM8030502TP	SCREW M3 L=5				1.00
20	G5322164000	INSTALLING PLATE				1.00
21	SM1030601SC	SCREW M3 L=6				2.00
22	PA800012000	AIR CYLINDER				1.00
23	SM6030602TP	SCREW M3X0.5 L=6				3.00
24	WP0320501SC	WASHER M3				3.00
25	PJ210304010	HALF UNION				2.00
26	G52401640A0	STACKER GUARD ASM.				1.00
27	G5242164000	PIPE ADHESIVE CEMENT		*		1.00
28	SM1030801SC	SCREW M3 L=8		*		6.00
29	G5243164000	PIPE SUPPORT		*		2.00
30	SM6050802TP	SCREW M5X0.8 L=8		*		4.00
31	WS0510002KN	SPRING WASHER		*		4.00
32	WP0531001SC	WASHER		*		4.00
33	GSS29212000	VINYL BAG		*		1.00
34	CM3002000B1	LABEL(16)	FOR JAPAN	*		1.00
35	CM300200003	ATTENTION LABEL	FOR JE	*		1.00
36	HX00150000A	CABLE CLAMP				1.00
37	SL4041081SF	SCREW M4 L=10				2.00
38	EA9500B0100	CABLE BAND				3.00
39	HX00150000F	CABLE CLIP				1.00

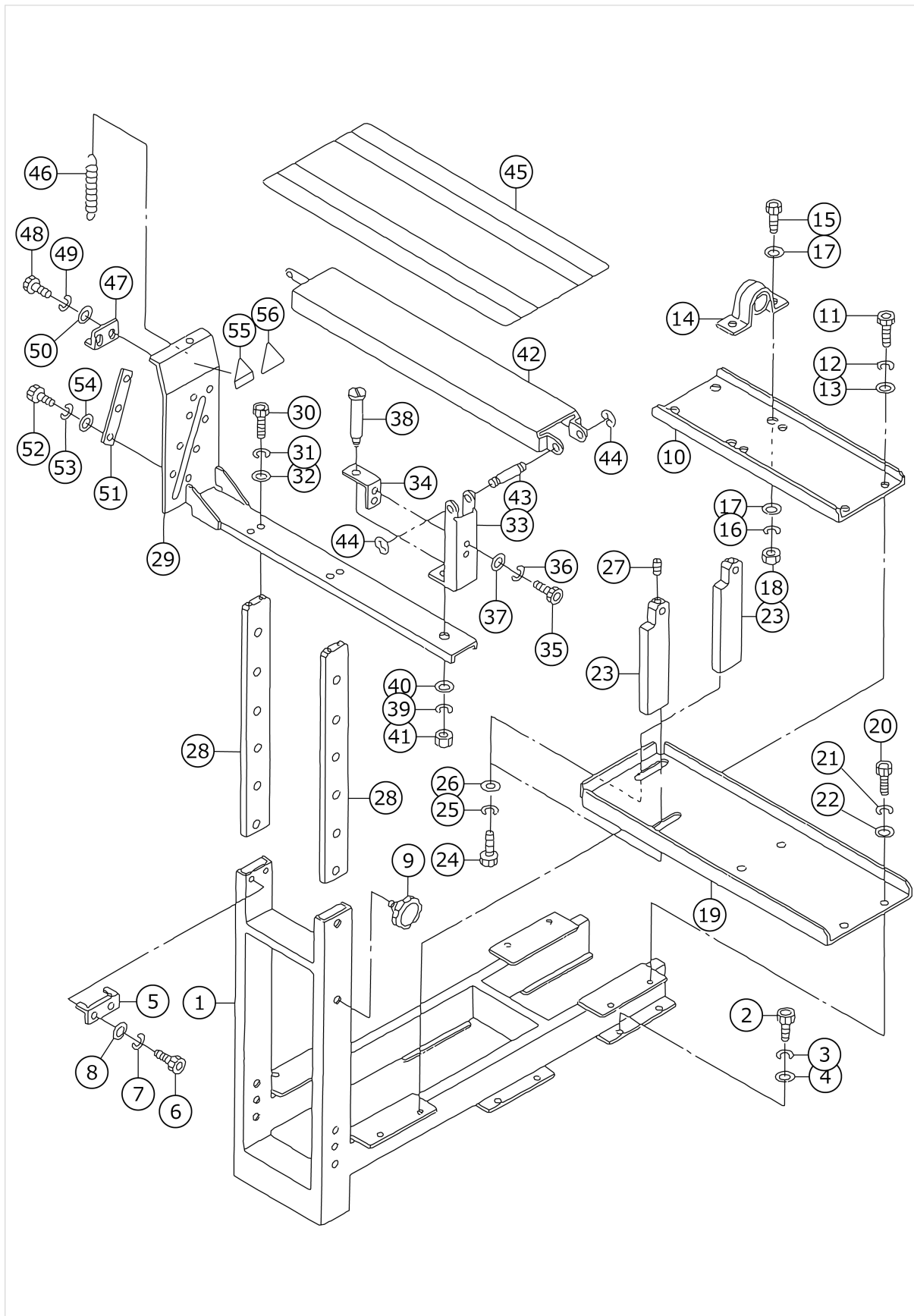


# CONVEYOR COMPONENTS



No.	品番	品名	備考	子部品	消耗品	個数
1	G5222164000	MOTOR BRACKET SUPPORT				1.00
2	SM6061202TP	SCREW M6 L=12				4.00
3	WS0610002KN	SPRING WASHER 6.1X12.2X1.5				4.00
4	WP0641601SC	WASHER				4.00
5	G5223164000	INSTALLING PLATE				1.00
6	SM6061202TP	SCREW M6 L=12				2.00
7	WS0610002KN	SPRING WASHER 6.1X12.2X1.5				2.00
8	WP0641601SC	WASHER				2.00
9	PX500017000	KNUCKLE JOINT				1.00
10	SM6082002TN	SCREW M8 L=20				1.00
11	WS0820002KN	SPRING WASHER M8				1.00
12	WP0841601SC	WASHER 8.4X17.4X1.6				1.00
13	PA2002513A0	AIR CYLINDER				1.00
14	PC015108000	SPEED CONTROLLER				1.00
15	G5224164000	SHAFT				1.00
16	B2714761000	SPRING RACK				4.00
17	B2710771000	SPRING				2.00
18	G5225164000	STUD				2.00
19	G2526270000	COLLAR				2.00
20	SM8040402TP	SCREW M4X0.7 L=4				4.00
21	G5226164000	MOTOR BRACKET				1.00
22	SM6061202TP	SCREW M6 L=12				4.00
23	WS0610002KN	SPRING WASHER 6.1X12.2X1.5				4.00
24	WP0641601SC	WASHER				4.00
25	G5227164000	INSTALLING PLATE				2.00
26	SM6061202TP	SCREW M6 L=12				4.00
27	WS0610002KN	SPRING WASHER 6.1X12.2X1.5				4.00
28	WP0641601SC	WASHER				4.00
29	G5228164000	CONVEYER FRAME				1.00
30	G5229164000	DRIVE PULLEY				1.00
31	SM8040602TP	SCREW M4X0.7 L=6				2.00
32	HM000770010	GEAR HEAD				1.00
33	B1513210000	CLOTH PRESSER MAGNET SPACER				4.00
34	G62011640A0	CONVEYER MOTOR ASM.				1.00
35	G5230164000	IDLER PULLEY				1.00
36	G5231164000	IDLER PULLEY SHAFT				1.00
37	WS1020002KN	SPRING WASHER M10				1.00
38	WP1052001SC	WASHER 10,5X21X2				1.00
39	NM6100001SC	NUT M10X1.5				1.00
40	SB115000200	BEARING				1.00
41	RC3500002KP	RETAINING RING 35				1.00
42	RC0150001KP	RETAINING RING 13.8				1.00
43	G5232164000	CONVEYER BELT				2.00
44	G5233164000	CONVEYER COVER				1.00
45	SM0040601SA	SCREW				5.00
46	CM3002000B2	LABEL(25).	FOR JAPAN			1.00
47	CM300200003	ATTENTION LABEL	FOR JE			1.00

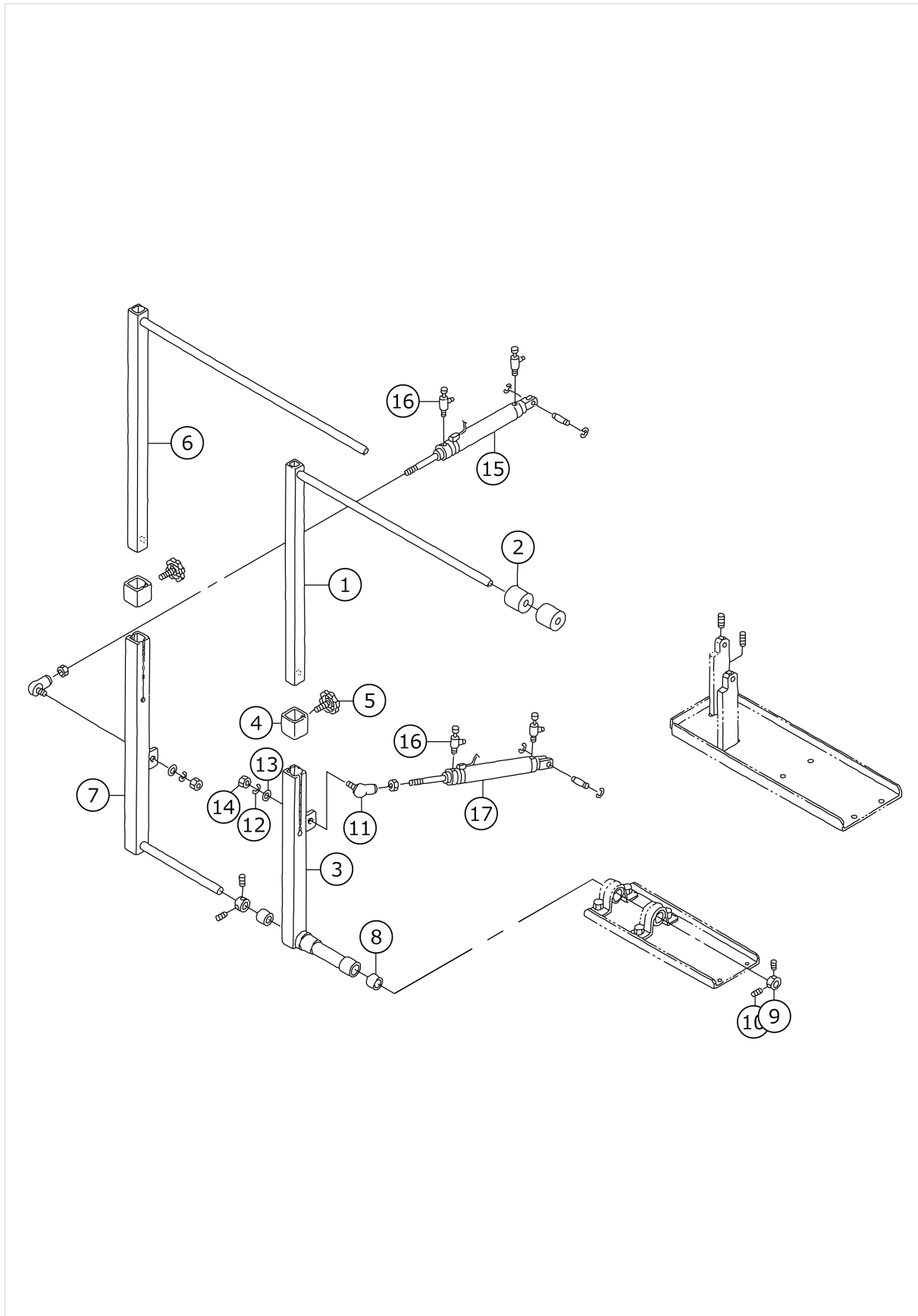
# STACKER COMPONENTS



No.	品番	品名	備考	子部品	消耗品	個数
1	G5201164000	STACKER BASE				1.00
2	SM6061202TP	SCREW M6 L=12				4.00
3	WS0610002KN	SPRING WASHER 6.1X12.2X1.5				4.00
4	WP0641601SC	WASHER				4.00
5	G5210164000	SUPPORT PLATE				2.00
6	SM6030602TP	SCREW M3X0.5 L=6				4.00
7	WS0310002KN	SPRING WASHER M3				4.00
8	WP0320501SC	WASHER M3				4.00
9	G5220164000	KNOB				2.00
10	G5202164000	PILLOW INSTALLING PLATE				1.00
11	SM6061202TP	SCREW M6 L=12				4.00
12	WS0610002KN	SPRING WASHER 6.1X12.2X1.5				4.00
13	WP0641601SC	WASHER				4.00
14	G5129164000	SWITCH INSTALLING PLATE				2.00
15	SM6082002TN	SCREW M8 L=20				4.00
16	WS0820002KN	SPRING WASHER M8				4.00
17	WP0841601SC	WASHER 8.4X17.4X1.6				8.00
18	NM6080001SC	NUT M8X1.25				4.00
19	G5203164000	CYLINDER HOLDER BASE				1.00
20	SM6061202TP	SCREW M6 L=12				4.00
21	WS0610002KN	SPRING WASHER 6.1X12.2X1.5				4.00
22	WP0641601SC	WASHER				4.00
23	G5217164000	CYLINDER MOUNT PLATE				2.00
24	SM6061602TP	SCREW M6 L=16				4.00
25	WS0610002KN	SPRING WASHER 6.1X12.2X1.5				4.00
26	WP0641601SC	WASHER				4.00
27	SM8040402TP	SCREW M4X0.7 L=4				2.00
28	G5209164000	ADJUSTING PLATE				2.00
29	G5211164000	SUPPORT				1.00
30	SM6041202TP	SCREW M4X0.7 L=12				4.00
31	WS0410002KN	SPRING WASHER				4.00
32	WP0430801SC	WASHER 4.3X9X0.8				4.00
33	G5212164000	FULCRUM PLATE				1.00
34	G5234164000	PIN SUPPORT				1.00
35	SM6040802TP	SCREW M4X0.7 L=8				2.00
36	WS0410002KN	SPRING WASHER				2.00
37	WP0430801SC	WASHER 4.3X9X0.8				2.00
38	B8170220000	BED FIXED SCREW				1.00
39	WS0820002KN	SPRING WASHER M8				1.00
40	WP0841601SC	WASHER 8.4X17.4X1.6				1.00
41	NM6080001SC	NUT M8X1.25				1.00
42	G5213164000	CLOTH STACKER				1.00
43	13518105	LIFTING LEVER SHAFT				1.00
44	RE0700000K0	E-RING 7				2.00
45	G5022164000	CUSHION				1.00
46	G5214164000	SPRING				1.00
47	G5215164000	FIXED PLATE				1.00
48	SM6030602TP	SCREW M3X0.5 L=6				2.00
49	WS0310002KN	SPRING WASHER M3				2.00
50	WP0320501SC	WASHER M3				2.00

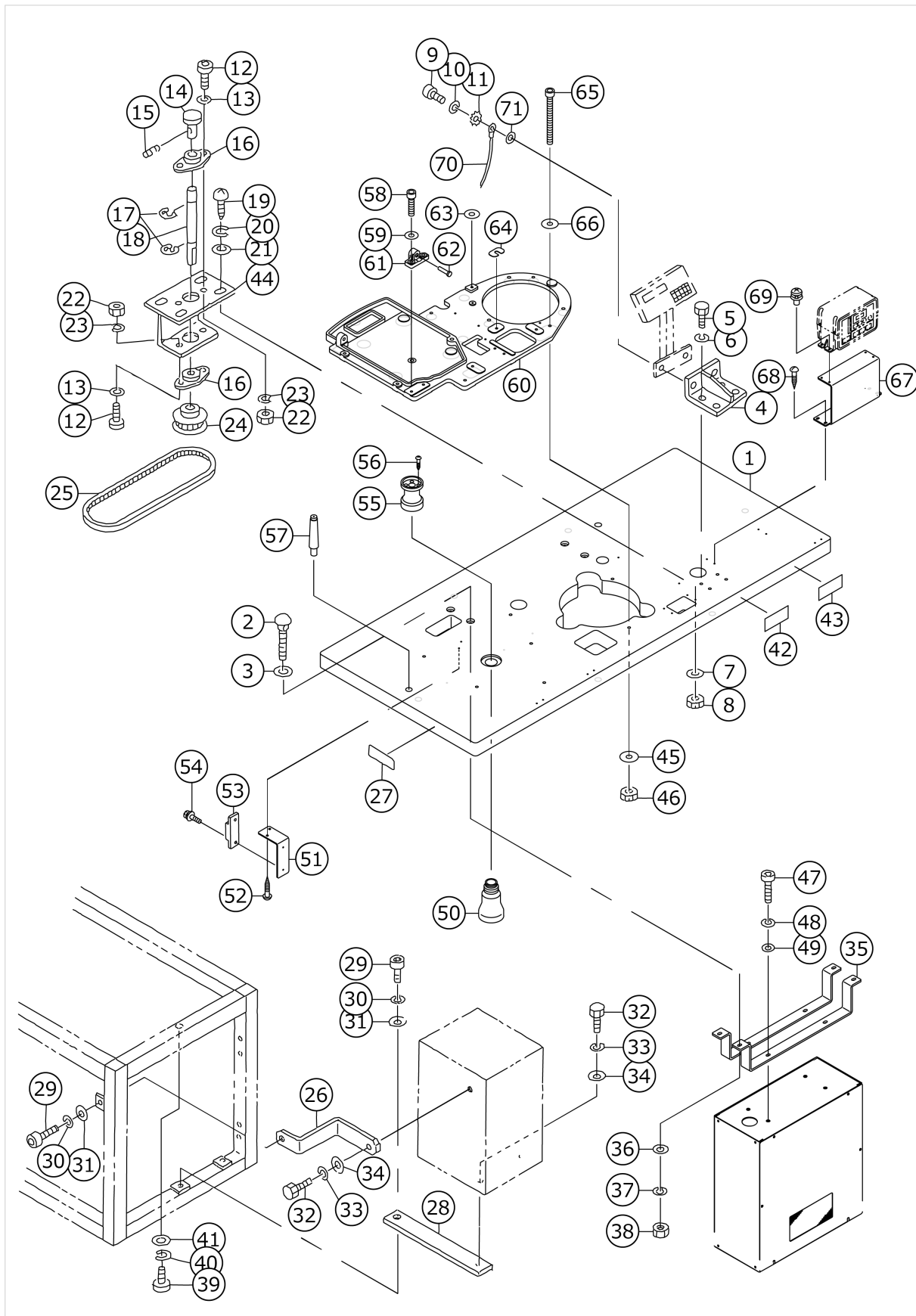
51	G5235164000	SLIDER				2.00
52	SM6030802TP	SCREW M3X0.5 L=8				6.00
53	WS0310002KN	SPRING WASHER M3				6.00
54	WP0320501SC	WASHER M3				6.00
55	CM3002000B1	LABEL(16)	FOR JAPAN			1.00
56	CM300200003	ATTENTION LABEL	FOR JE			1.00

# STACKER CYLINDER COMPONENTS



No.	品番	品名	備考	子部品	消耗品	個数
1	G5204164000	CLOTH PRESSER				1.00
2	G5216164000	STACKER RING				5.00
3	G5205164000	CLOTH PRESSER				1.00
4	G5208164000	BAR LOCKER				2.00
5	G5221164000	KNOB				2.00
6	G5206164000	CLOTH PAYMENT				1.00
7	G5207164000	CLOTH PAYMENT				1.00
8	G5218164000	BEARING				2.00
9	G2543270000	SHAFT STOP COLLAR A				2.00
10	SM8040402TP	SCREW M4X0.7 L=4				4.00
11	G5204171000	LINK BOLL				2.00
12	WS0820002KN	SPRING WASHER M8				2.00
13	WP0841601SC	WASHER 8.4X17.4X1.6				2.00
14	NM6080003SC	NUT M8				2.00
15	G61081640A0	CLOTH SWEEPING CYLINDER ASM.				1.00
16	PC015108000	SPEED CONTROLLER				4.00
17	G61091640A0	CLOTH PRESSER CYLINDER ASM.				1.00

# MACHINE TABLE COMPONENTS

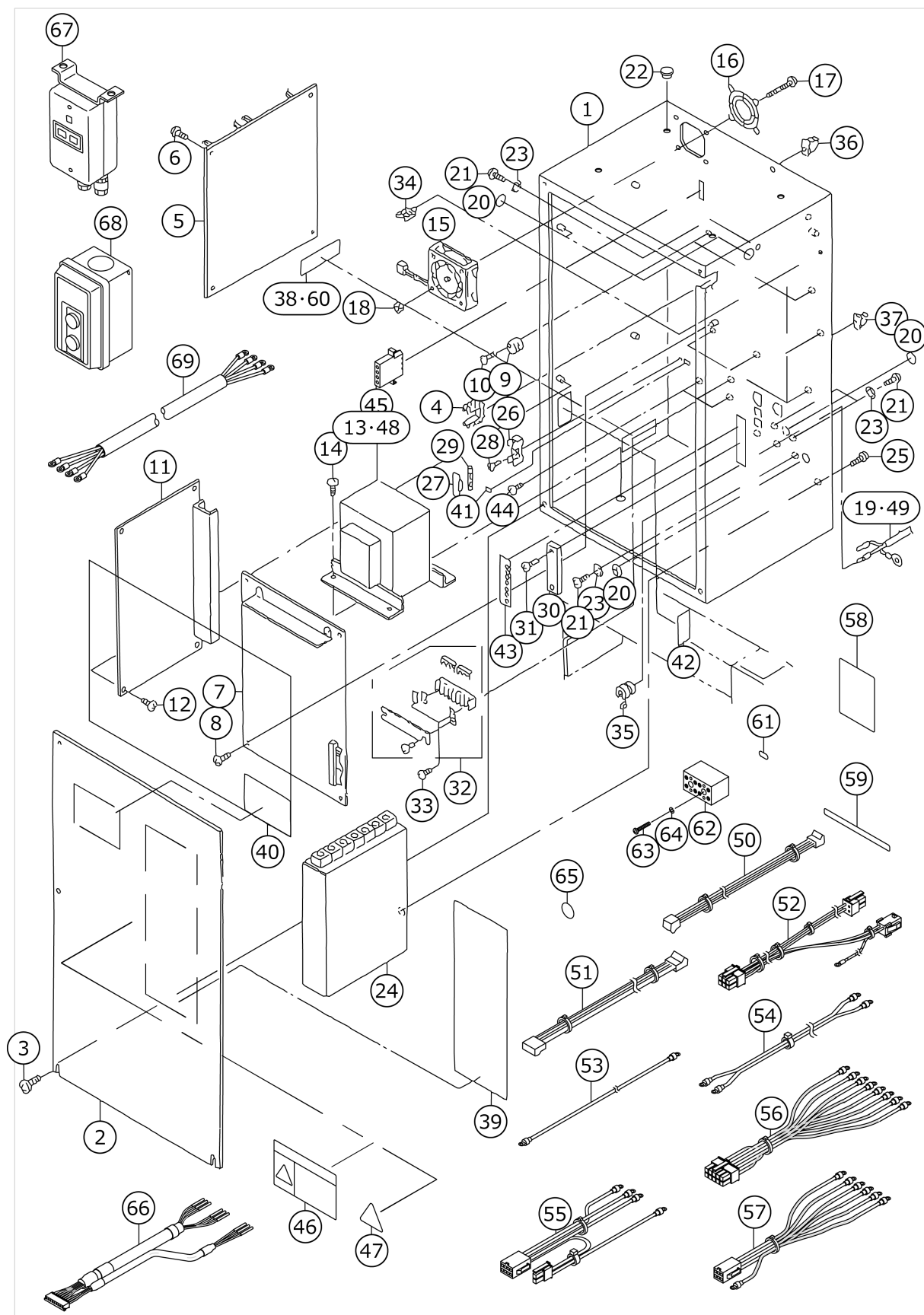




No.	品番	品名	備考	子部品	消耗品	個数
1	G5402164B00	TABLE				1.00
2	MTJMS000060	BOLT				4.00
3	WP0850002SP	WASHER 8.5X18X1.6				4.00
4	G5406164000	OPERATION PANEL BRACKET				1.00
5	SM9066503SC	SCREW M6 L=65				4.00
6	WS0610002KN	SPRING WASHER 6.1X12.2X1.5				4.00
7	WP0641601SC	WASHER				4.00
8	NM6060001SC	NUT M6				4.00
9	SM6061202TN	BOLT				2.00
10	WS0610002KN	SPRING WASHER 6.1X12.2X1.5				2.00
11	WT0640001KN	TOOTH WASHER				2.00
12	SM6051202TP	SCREW M5X0.8 L=12				4.00
13	WP0531001SC	WASHER				4.00
14	16561904	MOTOR KNOB				1.00
15	SM8050602TP	SCREW M5 L=6				1.00
16	G5420164000	FLANGE				2.00
17	RE0600000K0	E-RING 6				2.00
18	G5419164000	SHAFT				1.00
19	SK3381301SC	WOOD SCREW				4.00
20	WS0410002KN	SPRING WASHER				4.00
21	WP0430801SC	WASHER 4.3X9X0.8				4.00
22	NM6050001SC	NUT M5				4.00
23	WS0510002KN	SPRING WASHER				4.00
24	G5418164000	SULLY				1.00
25	G5421164000	ROTATION BELT				1.00
26	G5423164000	FIXED PLATE				1.00
27	G5042164A00	NAME PLATE				1.00
28	G5421162000	CONTROL BOX INSTALLING PLATE				2.00
29	SM6082002TN	SCREW M8 L=20				3.00
30	WS0820002KN	SPRING WASHER M8				3.00
31	WP0841601SC	WASHER 8.4X17.4X1.6				3.00
32	SM9082003SC	SCREW M8 L=20				3.00
33	WS0820002KN	SPRING WASHER M8				3.00
34	WP0841601SC	WASHER 8.4X17.4X1.6				3.00
35	G5431164B00	CONTROL BOX FITTING PLATE				2.00
36	WP0641601SC	WASHER				4.00
37	WS0610002KN	SPRING WASHER 6.1X12.2X1.5				4.00
38	NM6060001SC	NUT M6				4.00
39	SM6082002TN	SCREW M8 L=20				6.00
40	WS0820002KN	SPRING WASHER M8				6.00
41	WP0841601SC	WASHER 8.4X17.4X1.6				6.00
42	CM500100001	CE MARKING LABEL	FOR JE			1.00
43	CM500000001	POWER SOURCE INDICATION LABEL	FOR JE			1.00
44	G5417164000	BRACKET				1.00
45	WP0651646SC	WASHER				6.00
46	NM6060001SC	NUT M6				6.00
47	SM9062003SC	SCREW M6 L=20				4.00
48	WS0610002KN	SPRING WASHER 6.1X12.2X1.5				4.00
49	WP0641600SC	WASHER 6.4X12.5X1.6				4.00
50	B9121012000	OIL CAN				1.00

51	G5432164B00	TERMINAL BRACKET				1.00
52	SK3412001SC	WOOD SCREW D=4.1 L=20				2.00
53	HK044350120	TERMINAL				1.00
54	SL4030881SC	SCREW M3X8				2.00
55	B8202205000	OIL MANAGEMENT				1.00
56	SK3311601SE	WOOD SCREW D=3.1 L=16				4.00
57	11280856	FRAME SUPPORT BAR ASM.				1.00
58	SM6062502TP	SCREW M6 L=25				2.00
59	WP0611626SP	WASHER 15X6X1.6				2.00
60	GBR25001000	BASE				1.00
61	GBR25006000	HEAD FIXING HINGE				1.00
62	D2431555B00	THREAD TRIMMER SHAFT				1.00
63	WP0621036SP	WASHER				1.00
64	GBR25010000	BODY FRAME SPACER A				3.00
65	SM6066552TP	BOLT				6.00
66	WP0612056SD	WASHER 6.1X18.5X2				6.00
67	G5430164B00	OPERATION BOX FITTING BASE				1.00
68	SK3412001SC	WOOD SCREW D=4.1 L=20				4.00
69	SL4041091SC	SCREW M4 L=10				4.00
70	G67041640A0	EARTH CORD ASM.				2.00
71	WP0641601SC	WASHER				2.00

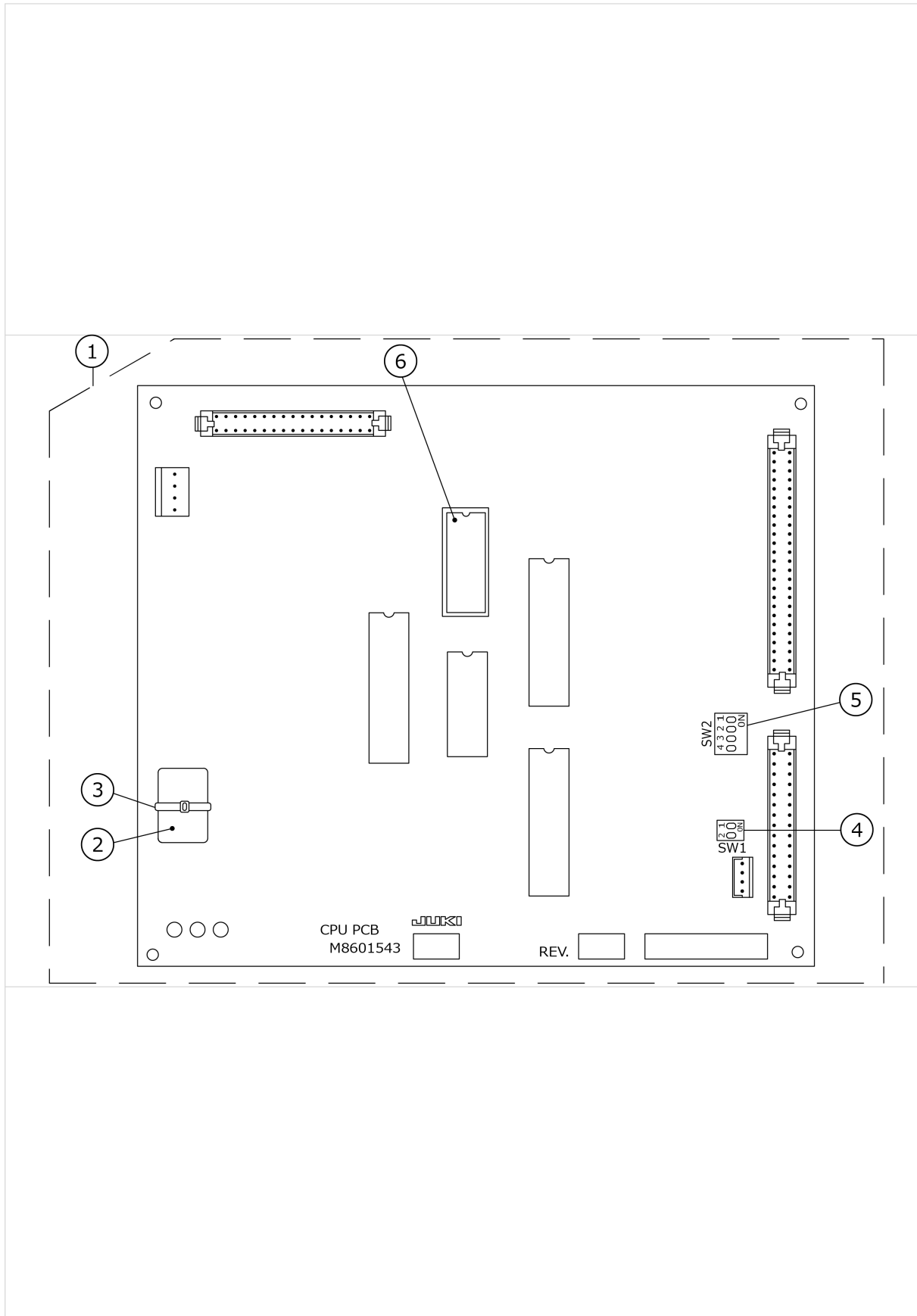
# CONTROL BOX COMPONENTS



No.	品番	品名	備考	子部品	消耗品	個数
1	M1001544000A	CONTROL BOX FRAME				1.00
2	M10025440A0	FRAME CONTROLL BOX COVER ASM.				1.00
3	SM0040601SA	SCREW				6.00
4	M1004540000	FREE BUSHING, A				1.00
5	M8601543EA0	CPU CIRCUIT BOARD ASM. E				1.00
6	HX00269000B	SPACER				4.00
7	M8602544DA0	I/O CIRCUIT BOARD ASM. D				1.00
8	HX00269000B	SPACER				4.00
9	M1004544000A	CIRCUIT BOARD SUPPORT				2.00
10	SL4031891SC	SCREW M3 L=18				2.00
11	M8603544AA0	POWER CIRCUIT BOARD ASM.				1.00
12	HX00269000B	SPACER				4.00
13	M85105440A0	TRANSFORMER ASM.	EXCEPT FOR JE			1.00
14	SL4051091SC	SCREW M5X0.8 L=10				4.00
15	M85115440A0	DC FAN ASM.				1.00
16	HM0003800A0	FINGER GUARD				1.00
17	SM4043601SN	SCREW M4X0.7 L=36				4.00
18	NM3040520SF	FLANGE NUT M4				4.00
19	M85215400A0	POWER SOURCE CORD ASM.	EXCEPT FOR JE			1.00
20	10004109	GROUND MARK				3.00
21	SL4041081SF	SCREW M4 L=10				10.00
22	TA0800504R0	PLUG D=8 L=4.5				4.00
23	WT0430001KN	TOOTHED WASHER				10.00
24	HM000570010	DRIVER				1.00
25	SL4041081SF	SCREW M4 L=10				2.00
26	HF005111000	FUSE HOLDER				1.00
27	HF00511000B	FUSE HOLDER COVER				1.00
28	SM4041001SC	SCREW M4X0.7 L=10				1.00
29	E9602701000	FUSE 4A				1.00
30	HK017150070	TERMINAL BASE 7P	EXCEPT FOR JE			1.00
31	SL4031681SF	SCREW M3 L=16	EXCEPT FOR JE			2.00
32	HK044450060	TERMINAL BASE				1.00
33	SL4031481SF	SCREW M3 L=14				2.00
34	HX00222000A	CABLE CLAMP				5.00
35	HX004100000	BUSH				1.00
36	HX000240000	CORD HOLDER				1.00
37	HX00024000C	CORD CLAMP				1.00
38	M1010544000	CONTROL BOX PLATE	EXCEPT FOR JE			1.00
39	M1020544000	SEAL, A				1.00
40	M1022543000	SEAL, B				1.00
41	M1022544000	F6 SEAL				1.00
42	M1021544000	SEAL				1.00
43	M1021540000	SEAL				1.00
44	SL4040691SC	SCREW M4 L=6				2.00
45	M9620110000	RECEPTACLE				1.00
46	CM300100101	DANGER LABEL (SMALL)	FOR JAPAN			1.00
47	CM300100001	LABEL	EXCEPT FOR JAPAN			1.00
48	M8510544BA0	TRANSFORMER B ASM.	FOR JE			1.00
49	M85295440A0	POWER SOURCE CORD B ASM.	FOR JE			1.00

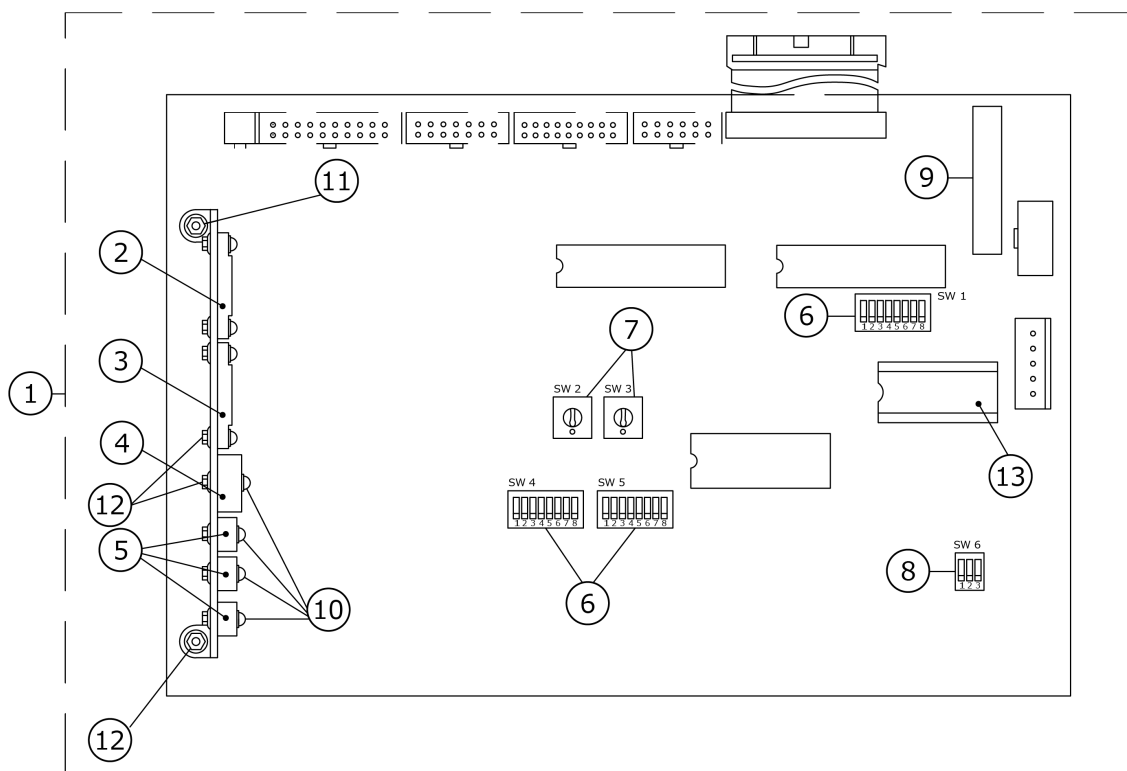
50	M85205440A0	POWER SOURCE CORD ASM.				1.00
51	M85215440A0	POWER SOURCE CORD ASM. (1)				1.00
52	M85225440A0	POWER SOURCE CORD (2)				1.00
53	M85245440A0	RELAY CORD ASM.				1.00
54	M85255440A0	DRIVER POWER SOURCE CORD				1.00
55	M85265440A0	POWER SOURCE CORD ASM.				1.00
56	M85245400A0	DRIVER CONNCTING CORD ASM.				1.00
57	M85255400A0	CONNECTING CORD ASM.				1.00
58	G8015397000	LABEL C	FOR JE			1.00
59	M3007519000	LABEL	FOR JE			1.00
60	M1010544B00	CONTROL BOX NAME PLATE	FOR JE			1.00
61	CM200100001	PE MARK LABEL	FOR JE			1.00
62	HK054250040	TERMINAL BASE	FOR JE			2.00
63	SM4031851SR	SCREW	FOR JE			4.00
64	WS0310702KS	SPRING WASHER	FOR JE			4.00
65	M3002518A00	LABEL				1.00
66	G6102164BA0	J1 CONNECTING CORD ASM.				1.00
67	HA00303000A	SWITCH	FOR 380V,JE			1.00
68	MTK440VSW00	BUTTON SWITCH	FOR 200V ~ 240V			1.00
69	M85285750A0	POWER SOURCE CABLE ASM.				1.00

# CPU CIRCUIT BOARD COMPONENTS



No.	品番	品名	備考	子部品	消耗品	個数
1	M8601543EA0	CPU CIRCUIT BOARD ASM. E				1.00
2	HX001160000	BATTERY 3.6V		*		1.00
3	EA9500B0100	CABLE BAND		*		1.00
4	HA001080020	DIP SWITCH		*		1.00
5	HA001080040	DIP SWITCH 4		*		1.00
6	HL008420043	IC		*		1.00

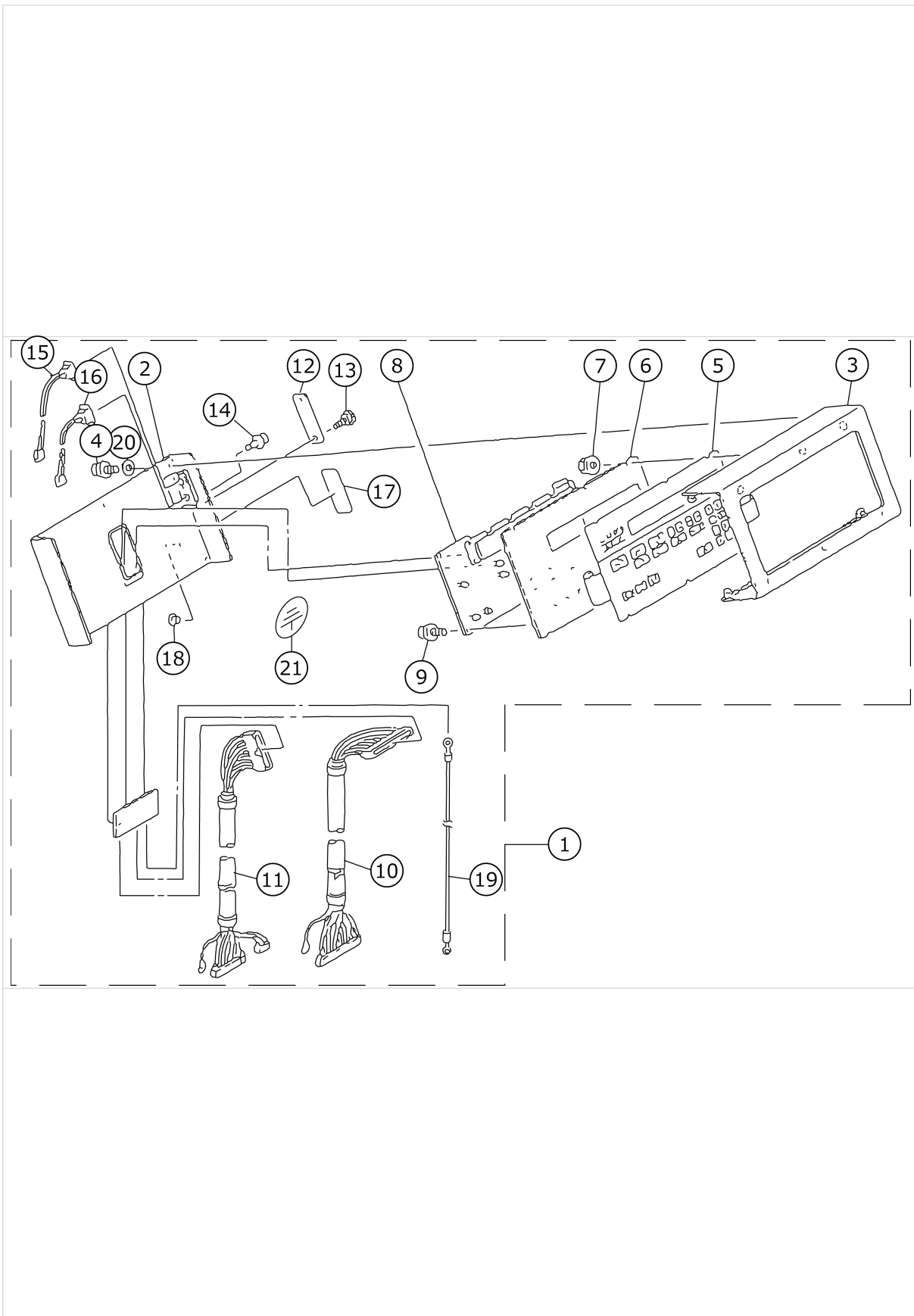
# I/O CIRCUIT BOARD COMPONENTS





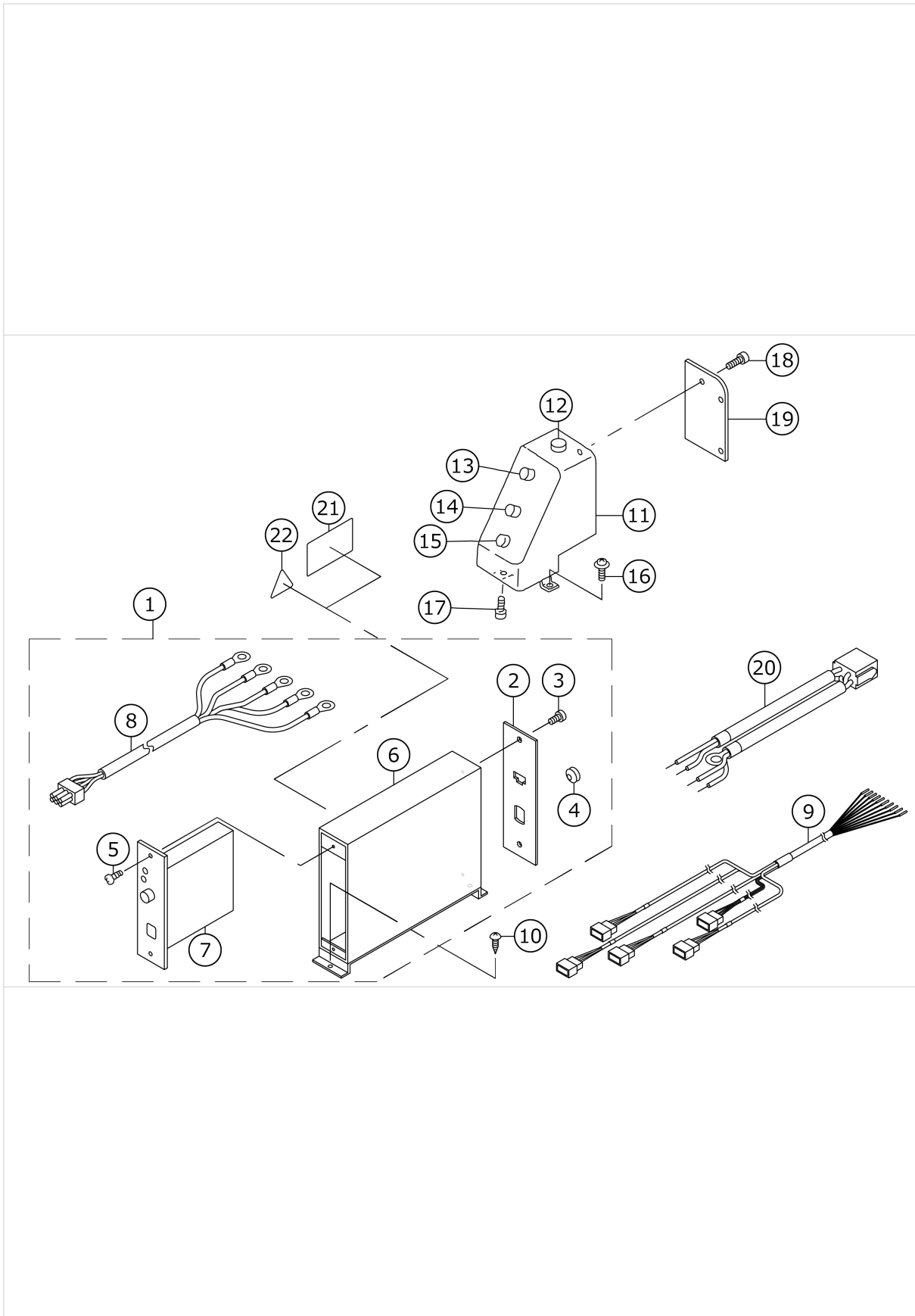
No.	品番	品名	備考	子部品	消耗品	個数
1	M8602544DA0	I/O CIRCUIT BOARD ASM. D				1.00
2	HT003920000	TRANSISTOR		*		1.00
3	HT003640000	TRANSISTOR ARRAY		*		1.00
4	HT002570000	TRANSISTOR		*		1.00
5	HT003570000	TRANSISTOR		*		3.00
6	HA001080080	DIP SWITCH 8P		*		3.00
7	HA002330000	ROTARY SWITCH		*		2.00
8	HA001080030	DIP SWITCH		*		1.00
9	HA000500000	ROTARY SWITCH		*		1.00
10	SL4031291SC	SCREW M3X12		*		4.00
11	SL4031081SF	SCREW M3 L=10		*		6.00
12	NM3034000SF	FLANGE NUT		*		10.00
13	HL008420044	IC		*		1.00

# PANEL BOX COMPONENTS



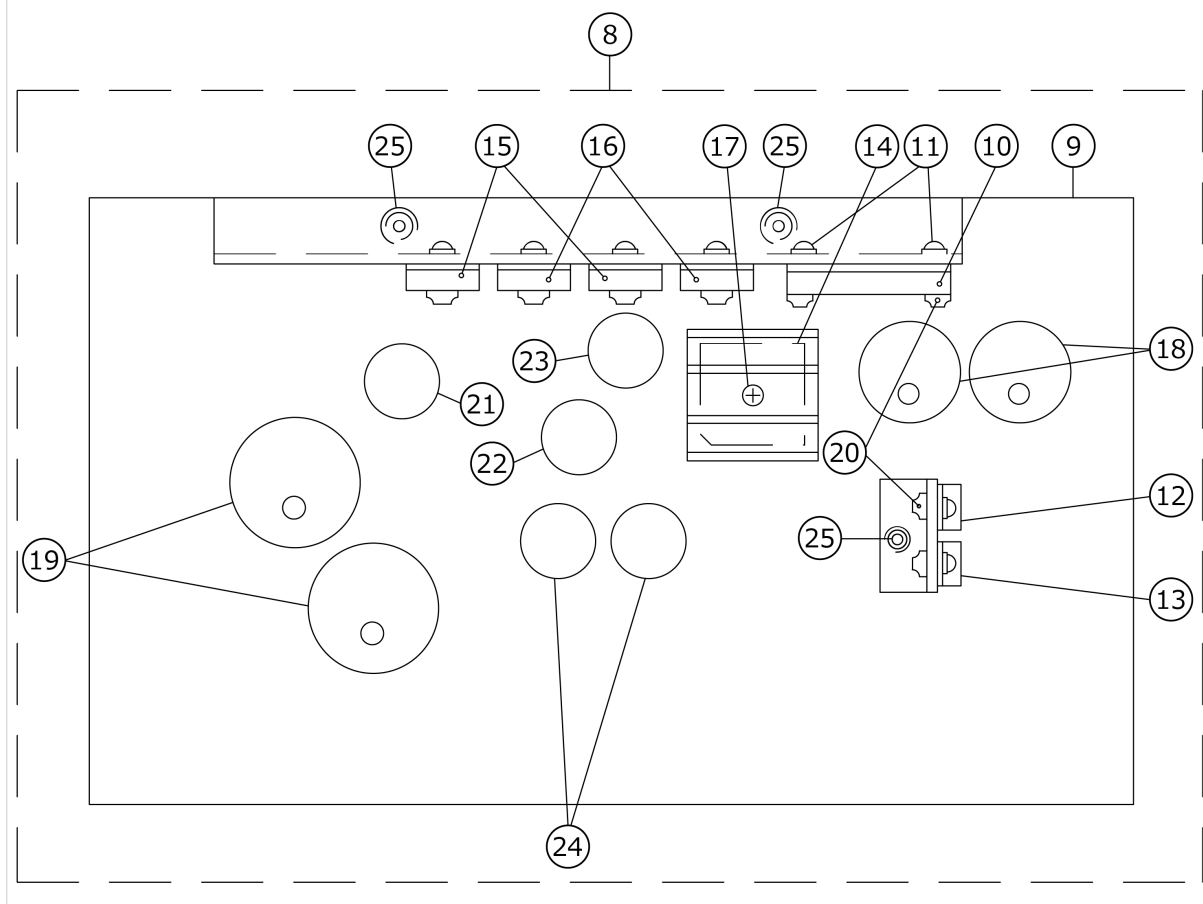
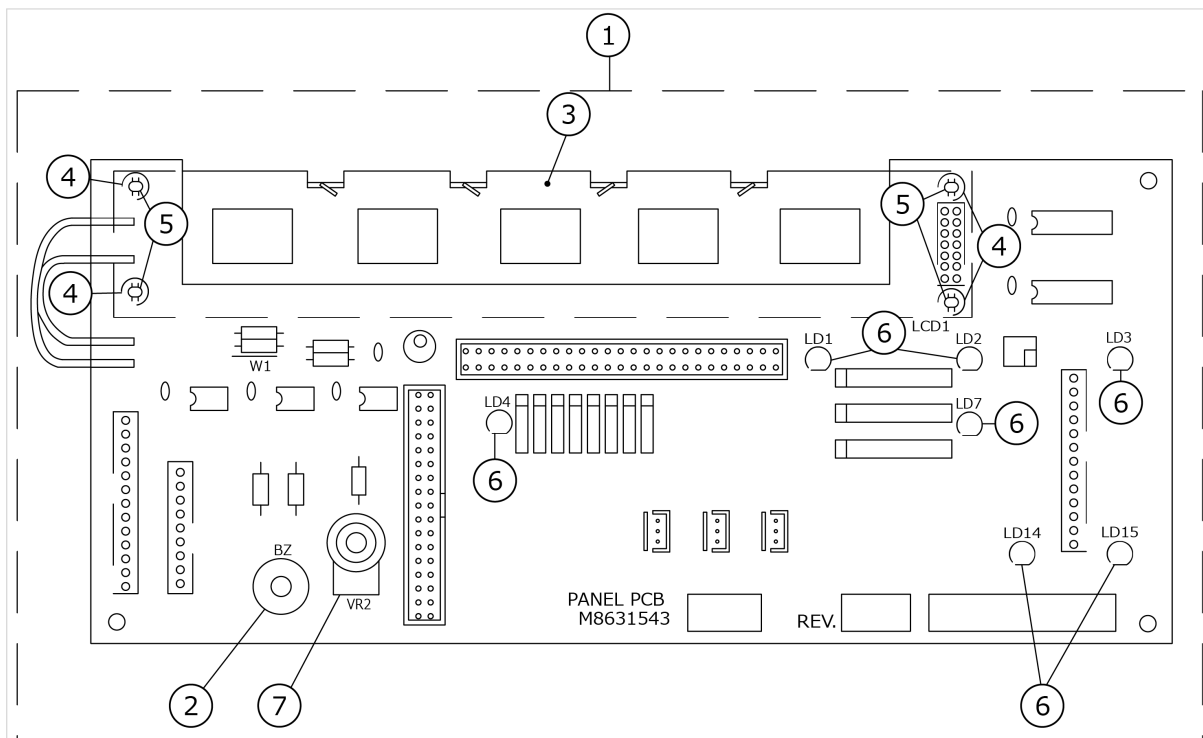
No.	品番	品名	備考	子部品	消耗品	個数
1	M85305440A0	PANEL BOX ASM.				1.00
2	M1030544000	FRAME PANEL BOX		*		1.00
3	M1031544000	FRAME PANEL BOX COVER		*		1.00
4	SL4030881SF	SCREW M3 L=8		*		5.00
5	M8630544000	PANEL MEMBRANE SWITCH		*		1.00
6	M1032540000	REINFORCEMENT PLATE		*		1.00
7	NM3034000SF	FLANGE NUT		*		6.00
8	M8631543AA0	PANEL CIRCUIT BOARD ASM.		*		1.00
9	SL4030881SF	SCREW M3 L=8		*		5.00
10	M85405440A0	CONNECTING CABLE ASM. 50P		*		1.00
11	M85415440A0	CONNECTING CABLE ASM. 34P		*		1.00
12	M1033543000	COVER		*		1.00
13	G6010003000	KNOB SCREW		*		2.00
14	SL4020881SC	SCREW M2 X 8		*		4.00
15	M85425430A0	FUNCTION SELECT SW ASM. 1		*		1.00
16	M85435430A0	FUNCTION SELECT SW ASM. 2		*		1.00
17	M1040544000	FUNCTION SELECT SEAL		*		1.00
18	TA0800504R0	PLUG D=8 L=4.5		*		1.00
19	M85425440A0	EARTH CORD ASM.		*		1.00
20	WT0320001KN	WASHER		*		6.00
21	E9567319000	EARTH MARK		*		1.00

# BR-CONTROL BOX COMPONENTS



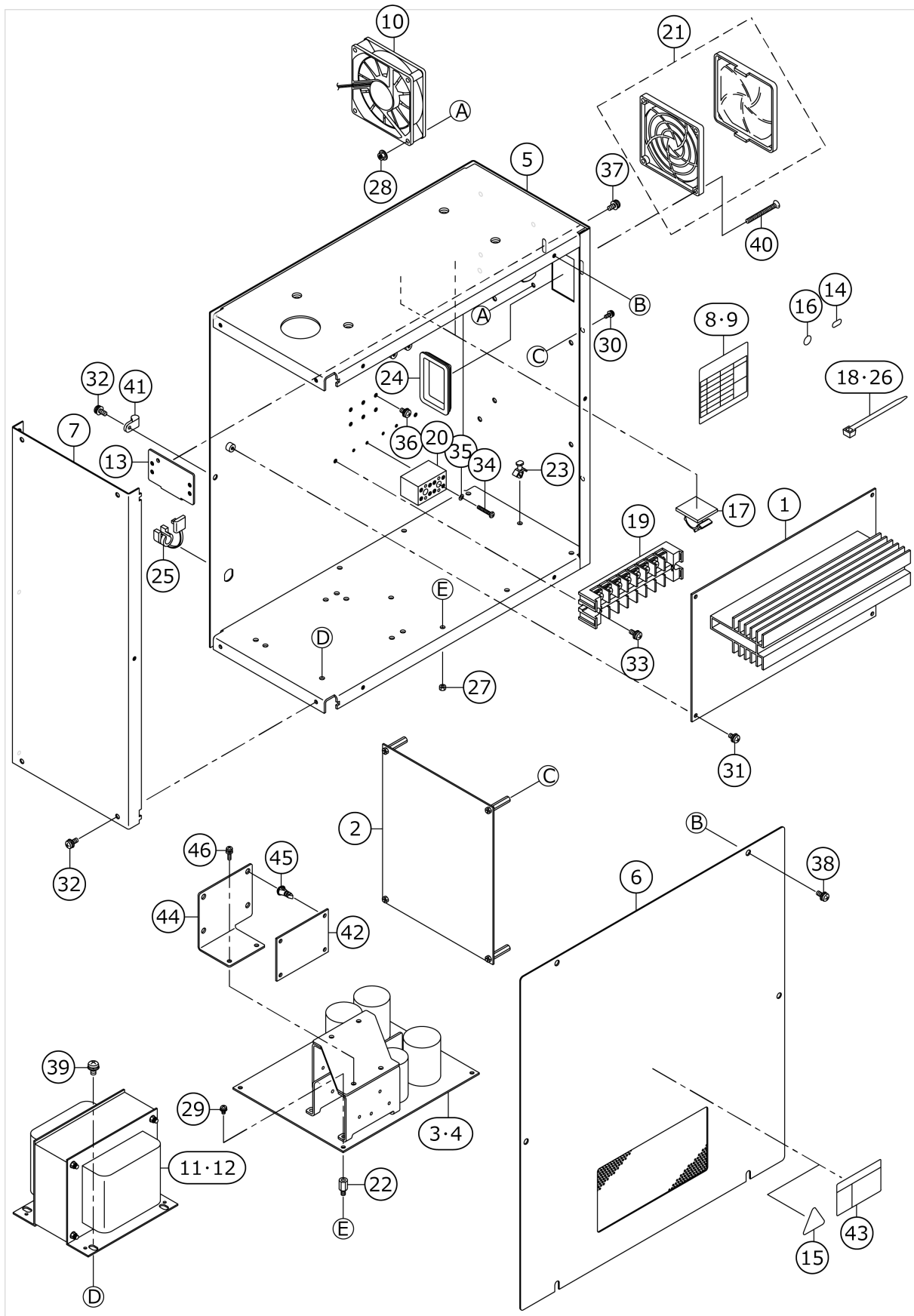
No.	品番	品名	備考	子部品	消耗品	個数
1	GBR118010A0	P/F CONTROLLER COMPL.				1.00
2	GBR10802000	P/F CONTROLLER BACK LID		*		1.00
3	SL4040691SC	SCREW M4 L=6		*		2.00
4	HX000980000	CORD BUSH		*		1.00
5	SM5040601SC	SCREW M4X0.7 L=6		*		2.00
6	GBR11801000	P/F CONTROLLER FRAME		*		1.00
7	GBR118110A0	P/F CONTROLLER ASM.		*		1.00
8	GBR108210A0	P/F POWER CORD ASM.		*		1.00
9	GBR118220A0	CONNECTING CORD ASM.				1.00
10	SK3381301SC	WOOD SCREW				2.00
11	GBR11781000	PANEL BOX				1.00
12	GBR117860A0	BREAKER ASM.				1.00
13	GBR117850A0	BUTTON SUPPLY SW ASM.				1.00
14	GBR117830A0	STEP-KEEPER SW ASM.				1.00
15	GBR117840A0	EXHAUST SW ASM.				1.00
16	SL4041091SC	SCREW M4 L=10				1.00
17	SM6040802TN	SCREW				1.00
18	SL4030681SC	SCREW M3 L=6				3.00
19	GBR10782000	PANEL BOX BACK COVER				1.00
20	GBR218460A0	CABLE ASM.				1.00
21	CM300100101	DANGER LABEL (SMALL)	FOR JAPAN			1.00
22	CM300100001	LABEL	FOR JE			1.00

# PANEL CIRCUIT BOARD COMPONENTS



No.	品番	品名	備考	子部品	消耗品	個数
1	M8631543AA0	PANEL CIRCUIT BOARD ASM.				1.00
2	HX002400000	BUZZER		*		1.00
3	HG004350000	LIQUID CRYSTAL INDICATOR		*		1.00
4	G6312166000	LCD SPACER		*		4.00
5	HX00094000C	NYLON RIVET		*		4.00
6	HG004750000	LIGHT EMITTING DIODE		*		7.00
7	HR030301030	VOLUME (10K)		*		1.00
8	M8603544AA0	POWER CIRCUIT BOARD ASM.				1.00
9	M8603544000	POWER BOARD		*		1.00
10	HL006940000	IC (STR-9005)		*		1.00
11	SL4031481SF	SCREW M3 L=14		*		6.00
12	HL011820000	REGULATOR		*		1.00
13	HL011800000	REGULATOR		*		1.00
14	HG002650000	DIODE BRIDGE (S10VB20)		*		1.00
15	HG003780000	DIODE (FMM-32R)		*		2.00
16	HG003770000	DIODE (FMM-32S)		*		2.00
17	SL4031281SF	SCREW M3 L=12		*		1.00
18	HC027501030	CAPACITOR 10000MF 16V		*		2.00
19	HC011504720	CAPACITOR 4700MF 63V		*		2.00
20	NM3034000SF	FLANGE NUT		*		8.00
21	EA9544B0200	FUSE		*		1.00
22	E9602701000	FUSE 4A		*		1.00
23	E8523304000	FUSE 10A		*		1.00
24	E9611601000	FUSE 1A		*		2.00
25	SL4031081SF	SCREW M3 L=10		*		5.00

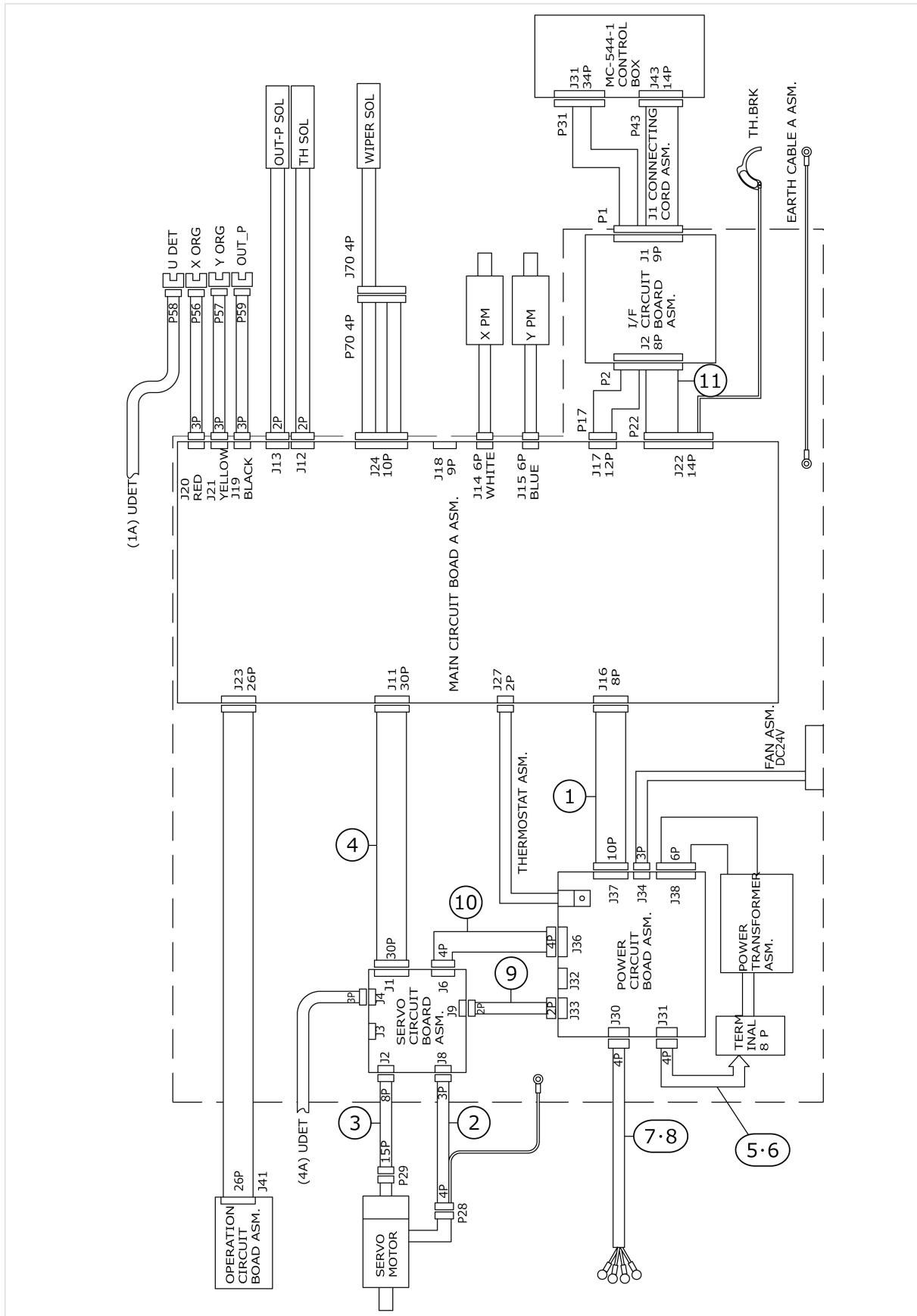
# MC591 CONTROL BOX COMPONENTS





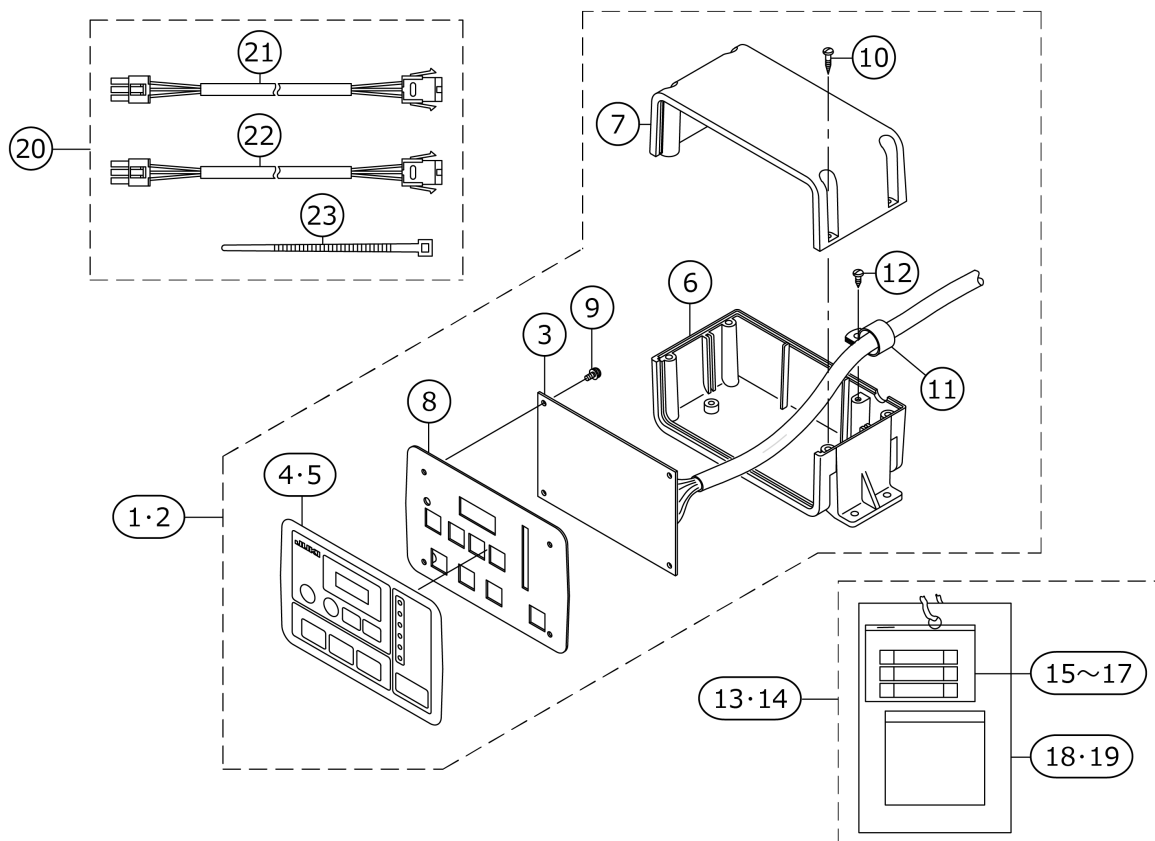
No.	品番	品名	備考	子部品	消耗品	個数
1	M8601590AB0	MAIN CIRCUIT BOARD A ASM.				1.00
2	M8602590AA0	SERVO CIRCUIT BOARD ASM., A				1.00
3	M8604590A0	POWER CIRCUIT BOARD ASM.	FOR 200V ~ 240V			1.00
4	M8604590AA0	POWER CIRCUIT BOARD ASM., A	FOR 380V			1.00
5	M1001590000	CONTROL BOX				1.00
6	M10025800A0	CONTROL BOX COVER ASM.				1.00
7	M1003590000	CONTROL BOX PANEL				1.00
8	M300359000A	SEAL A	FOR 200V ~ 240V			1.00
9	M300258000B	SEAL B	FOR 380V			1.00
10	M85405900A0	FAN ASM.				1.00
11	M8901590AA0A	TRANSFORMER A ASM.	FOR 200V ~ 240V			1.00
12	M8901590BA0A	TRANSFORMER B ASM.	FOR 380V			1.00
13	17845009	CORD FITTING PLATE				1.00
14	CM200100001	PE MARK LABEL	FOR JE			1.00
15	CM300100001	LABEL	EXCEPT FOR JAPAN			1.00
16	E9567319000	EARTH MARK				1.00
17	E9609603000	STICKER (LARGE)				2.00
18	EA9500B0100	CABLE BAND				1.00
19	HK026650080	TERMINAL BASE 8P	FOR 200V ~ 240V			1.00
20	HK054250040	TERMINAL BASE	FOR 380V			2.00
21	HM000860010	FAN FILTER				1.00
22	HX00056000B	SPACER				4.00
23	HX00147000C	SPACER				4.00
24	HX004070000	BUSH				1.00
25	HX004100000	BUSH				1.00
26	EA9500B0200	CABLE BAND 150				2.00
27	NM3034000SF	FLANGE NUT				4.00
28	NM3040520SF	FLANGE NUT M4				2.00
29	SL4030681SF	SCREW M3 L=6				4.00
30	SL4030891SC	SCREW M3X8				4.00
31	SL4040881SF	SCREW M4 L=8				4.00
32	SL4041091SC	SCREW M4 L=10				7.00
33	SL4041081SF	SCREW M4 L=10	FOR 200V ~ 240V			2.00
34	SM4031851SR	SCREW	FOR 380V			4.00
35	WS0310702KS	SPRING WASHER	FOR 380V			4.00
36	SL4040681SC	COMBINATION SCREW M4 X 8				4.00
37	SL4041091SC	SCREW M4 L=10				2.00
38	SL4041091SC	SCREW M4 L=10				6.00
39	SL4051081SF	SCREW M5 L=10				4.00
40	SM1044050SM	SCREW M4X0.7 L=40				2.00
41	HX00123000B	CABLE CLIP				1.00
42	M86515910A0	I/F CIRCUIT BOARD ASM.				1.00
43	CM300100101	DANGER LABEL (SMALL)	FOR JAPAN			1.00
44	M1001591000	CIRCUIT BOARD FITTING PLATE				1.00
45	HX00269000B	SPACER				4.00
46	SL4031281SF	SCREW M3 L=12				1.00

# MC591 WIRING DIAGRAM



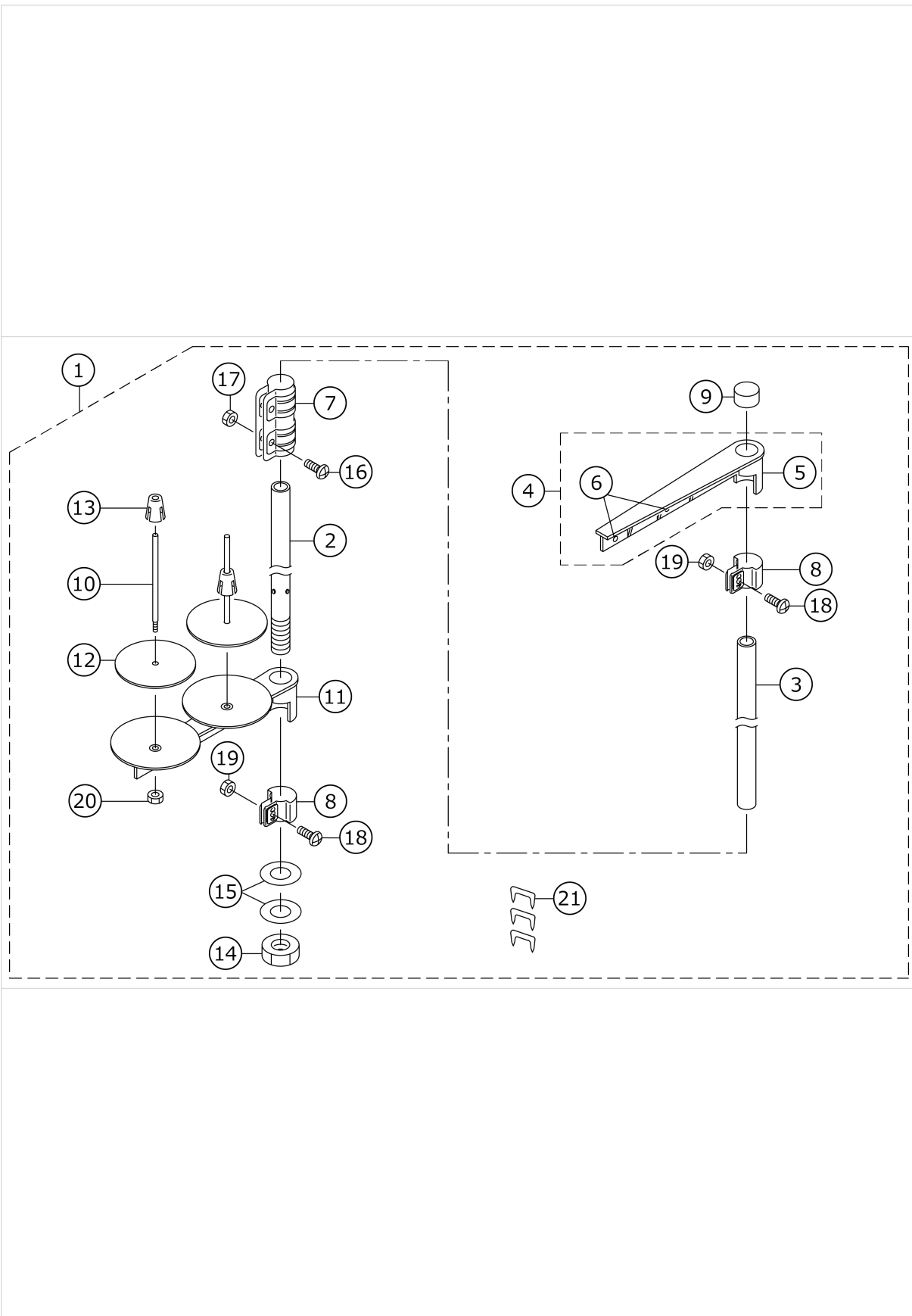
No.	品番	品名	備考	子部品	消耗品	個数
1	M90015900A0	MAIN POWER CORD ASM.				1.00
2	M90035900A0	SERVO MOTOR CABLE ASM.				1.00
3	M90045900A0	ENCODER CONNECTING CABLE ASM.				1.00
4	M90085800A0	SERVO SIGNAL CORD ASM.				1.00
5	M90205800A0	TRANSFORMER POWER CORD ASM.	FOR 200V ~ 240V			1.00
6	M9020580AA0	TRANSFORMER POWER CORD ASM.,A	FOR 380V,JE			1.00
7	M90225900A0	POWER CORD ASM.	FOR 200V ~ 240V			1.00
8	M90235900A0	POWER CORD A ASM.	FOR 380V,JE			1.00
9	M90025800A0	SERVO POWER CORD ASM.,B				1.00
10	M90315900A0	SERVO POWER CORD ASM.,A				1.00
11	M90515910A0	J2 CONNECTOR CORD ASM.				1.00

# MC591 OPERATION BOX & ACCESSORIE COMPOENENTS



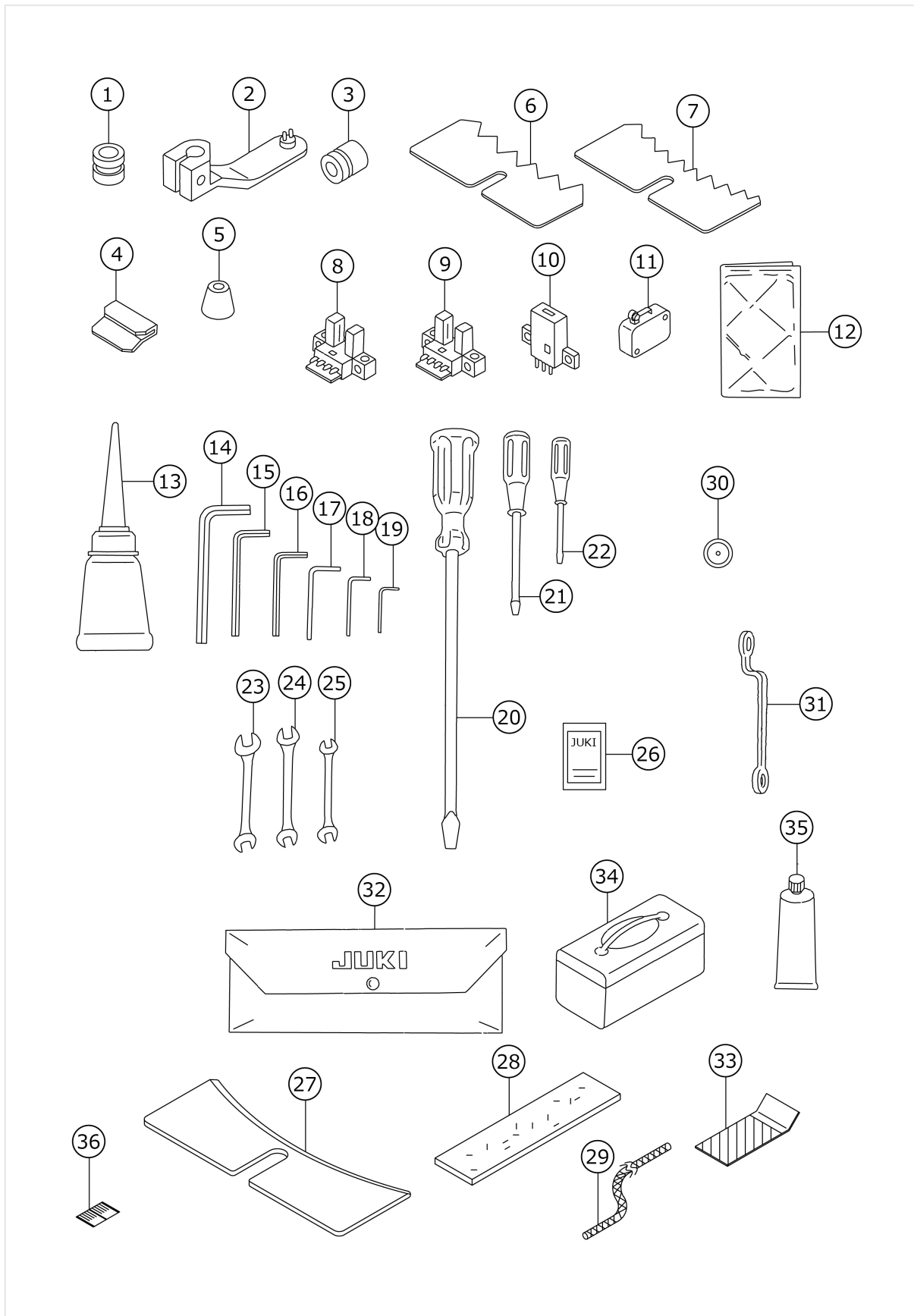
No.	品番	品名	備考	子部品	消耗品	個数
1	M8510590AA0	OPERATION BOX A ASM.	FOR JAPAN			1.00
2	M8510590BA0	OPERATION BOX B ASM.	FOR EXPORT			1.00
3	M86065900A0	OPERATION CIRCUIT BOARD ASM.		*		1.00
4	M300259000A	OPERATION PANEL SHEET(JAPAN)	FOR JAPAN	*		1.00
5	M300259000B	OPERATION PANEL SHEET(ENG)	FOR EXPORT	*		0.00
6	M1010590000	OPERATION BOX A		*		1.00
7	M1011590000	OPERATION BOX B		*		1.00
8	M1012590000	OPERATION PANEL PLATE		*		1.00
9	SL4030881SF	SCREW M3 L=8		*		4.00
10	ST40316110R	TAPPING SCREW D=3 L=16		*		4.00
11	EA9502B0500	CABLE CLIP		*		1.00
12	SV4031006SR	SCREW M3 L=10		*		1.00
13	M85995900A0	ACCESSORIES PART ASM.	FOR 200V ~ 240V			1.00
14	M8599590AA0	ACCESSORIES PART A ASM.	FOR 380V			1.00
15	HF001301000	TIMING LAG FUSE		*		1.00
16	HF0041080P0	FUSE 8A		*		1.00
17	E8523304000	FUSE 10A		*		1.00
18	M300451100A	VOLTAGE INDICATION CARD,A	FOR 200V ~ 240V	*		1.00
19	M3003580000	VOLTAGE INDICATION CARD,B	FOR 380V	*		1.00
20	M85975900A0	CABLE WHOLE ASM.	FOR MARKET ADAPTATION			1.00
21	M90515900A0	CABLE ASM.		*		1.00
22	M90525900A0	CABLE ASM.		*		1.00
23	EA9500B0200	CABLE BAND 150		*		6.00

# THREAD STAND COMPONENTS



No.	品番	品名	備考	子部品	消耗品	個数
1	11185055	THREAD STAND ASM.				1.00
2	11185105	SPOOL REST ROD,LOWER		*		1.00
3	11185204	SPOOL REST ROD,UPPER		*		1.00
4	11185352	THREAD GUIDE ASM.		*		1.00
5	11185303	THREAD GUIDE		*		1.00
6	B3319704L00	THREAD GUIDE		*		2.00
7	B3305704000A	SPOOL REST ROD JOINT		*		1.00
8	11185402	THREAD GUIDE ARM JOINT		*		2.00
9	B3311704000	SPOOL REST ROD CAP		*		1.00
10	B3320704L00A	SPOOL PIN		*		2.00
11	11185006	SPOOL REST ARM		*		1.00
12	B3311012000	SPOOL REST CUSHION		*		2.00
13	11185501	SPOOL RETAINER		*		2.00
14	B3317704000	NUT		*		1.00
15	WP1612616SE	WASHER 16X30X2.6		*		2.00
16	SM4051405SE	SCREW M5 L=14		*		2.00
17	NM6050001SE	NUT M5		*		2.00
18	SM4051405SE	SCREW M5 L=14		*		2.00
19	NM6050001SE	NUT M5		*		2.00
20	NM6050001SE	NUT M5		*		2.00
21	MAO11532000	CORD STAPLE		*		3.00

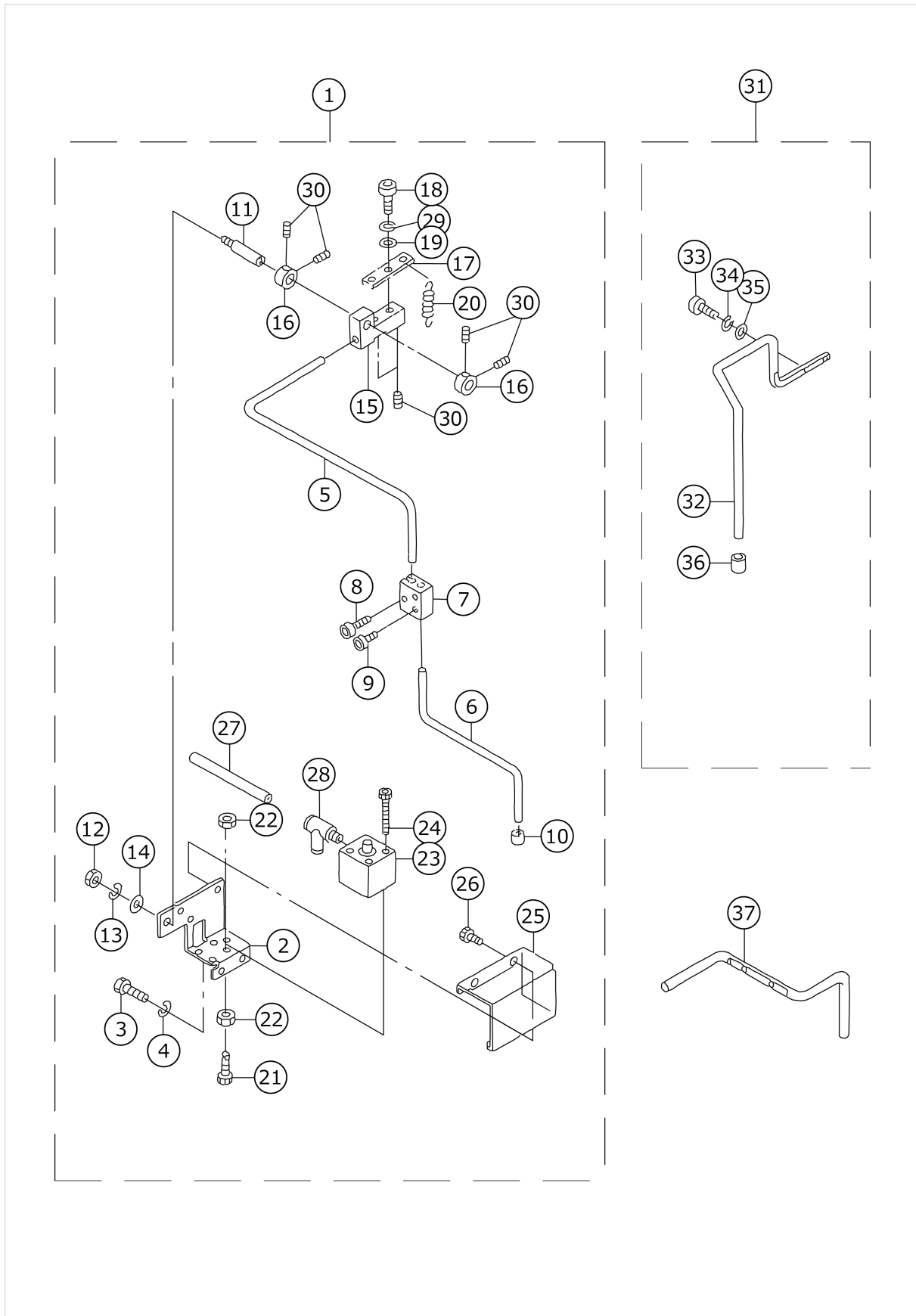
# ACCESSORIES COMPONENTS





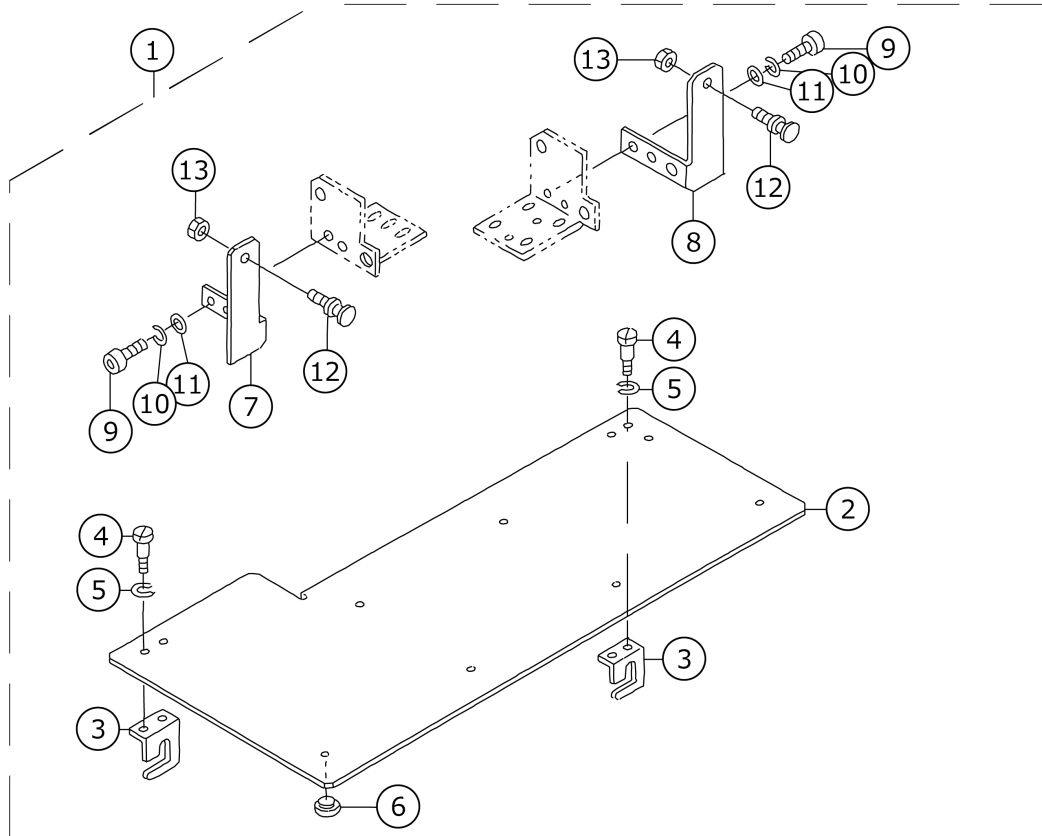
No.	品番	品名	備考	子部品	消耗品	個数
1	18200501	WORK ATTACHMENT (SMALL)				3.00
2	16558009	BUTTON CARRIER B				1.00
3	16558108	RING, SMALL				1.00
4	G5135164000	WOMAN GAUGE				1.00
5	G5138161000	RUBBER CAP				1.00
6	GBR01423000	SELECTOR PLATE, MEDIUM				1.00
7	GBR01422000	SELECTOR PLATE, SMALL				1.00
8	HD000830000	PHOTO SENSOR				1.00
9	HD000670000	SENSOR				1.00
10	HD000840000	PHOTO SENSOR				1.00
11	HA000830000	MICROSWITCH				1.00
12	B9118232000	VINYL COVER				1.00
13	B91210120A0	OILER ASM.				1.00
14	B9142372000	HEXAGONAL WRENCH (7.1X8.1)	VARIOUS NOS.FO R DESTINATIONS			1.00
15	GCT02906000	HEXAGONAL SPANNER				1.00
16	D9101L9SB00	HEXAGONAL BAR SPANNER				1.00
17	B9141372000	HEXAGONAL WRENCH, LARGE				1.00
18	GCT02904000	SPANNER				1.00
19	GCT02905000	SPANNER				1.00
20	B9109555000	SCREW DRIVER, LARGE				1.00
21	B9110012000	SCREW DRIVER, MIDDLE				1.00
22	B9111012000	SCREW DRIVER, SMALL				1.00
23	B9112012000	WRENCH (11X14)	VARIOUS NOS.FO R DESTINATIONS			1.00
24	B9113012000	WRENCH (9X10)	VARIOUS NOS.FO R DESTINATIONS			1.00
25	B9143372000	WRENCH (7.1 X 8.1)	VARIOUS NOS.FO R DESTINATIONS			1.00
26	MDP170B1402	NEEDLE DPX17#14-2				1.00
27	GBR01437000	AUXILIARY PLATE				1.00
28	18250407	SANDER (CLOTH)				3.00
29	18250506	SANDER (CORD)				2.00
30	13812102	BOBBIN				1.00
31	13533203	WRENCH				1.00
32	B9101552000	ACCESSORY BOX				1.00
33	G5139164000	EXTENSION PLATE				3.00
34	B8601WP10A0	TOOL BOX ASM.				1.00
35	13525506	GREASE TUBE				1.00
36	18204701	SCALE				4.00

# ASSISTANT CLAMP , LIGHT MATERIAL CLAMP & LEAD CLAMP COMPONENTS (OPTIONAL)



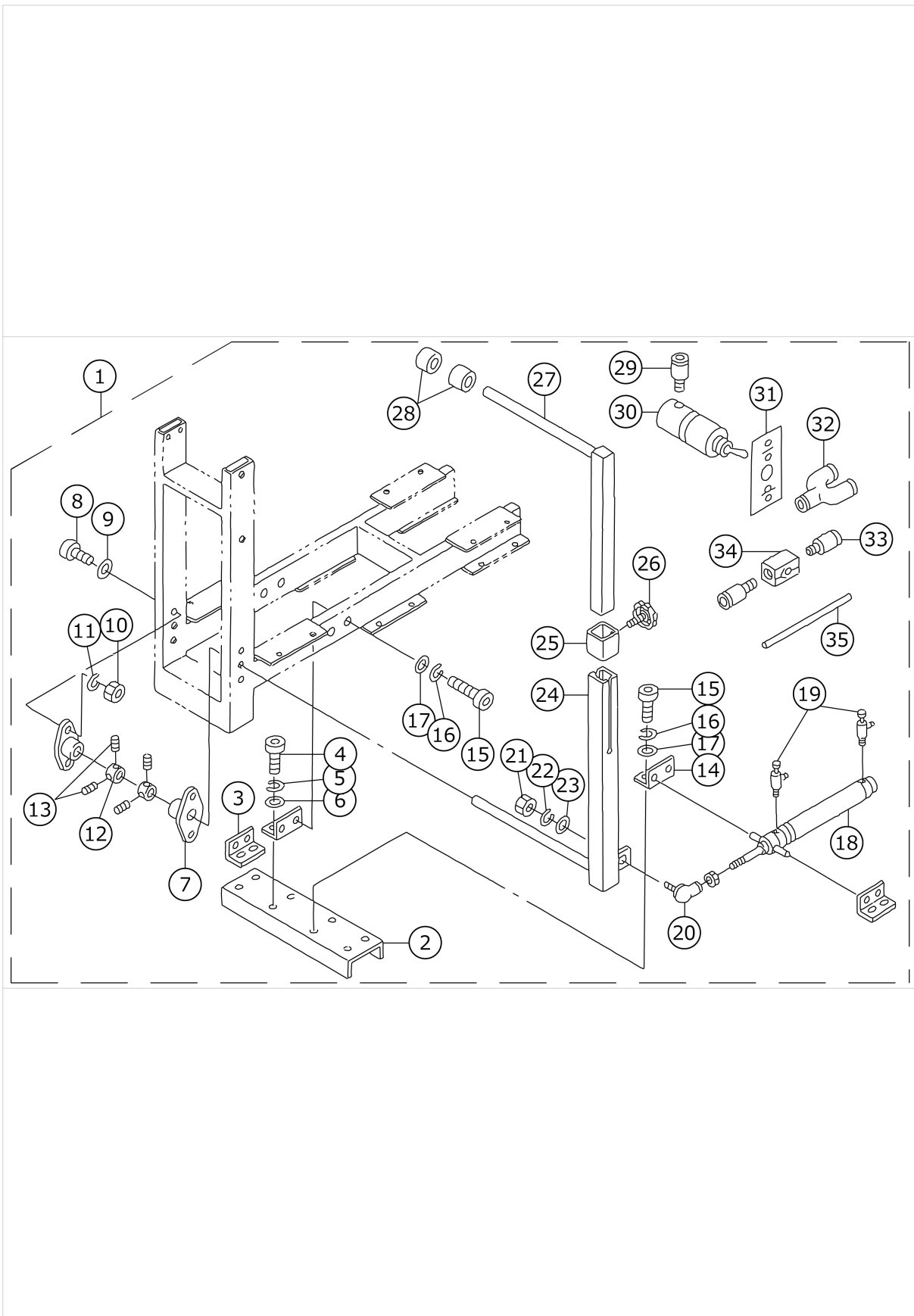
No.	品番	品名	備考	子部品	消耗品	個数
1	G55011640A0	AUXILIARY CLAMP ASM.				1.00
2	G5501164000	AUXILIARY CLAMP BRACKET		*		1.00
3	SM9061003SC	SCREW M6X10		*		2.00
4	WS0610002KN	SPRING WASHER 6.1X12.2X1.5		*		2.00
5	G5502164000	AUXILIARY CLAMP, UPPER		*		1.00
6	G5503164000	AUXILIARY CLAMP, LOWER		*		1.00
7	G5504164000	ADJUSTING METAL		*		1.00
8	SM6061202TN	BOLT		*		1.00
9	SM6030402TN	BOLT M3X4		*		2.00
10	G5138161000	RUBBER CAP		*		1.00
11	G5124164000	CLAMP SHAFT		*		1.00
12	NM6060001SC	NUT M6		*		1.00
13	WS0610002KN	SPRING WASHER 6.1X12.2X1.5		*		1.00
14	WP0641601SC	WASHER		*		1.00
15	G5125164000	CLAMP HOLDER		*		1.00
16	G2526270000	COLLAR		*		2.00
17	G5505164000	SPRING HOOK		*		1.00
18	SM6040602TP	SCREW M4 L=6		*		2.00
19	WP0430801SC	WASHER 4.3X9X0.8		*		2.00
20	G5126164000	SPRING		*		1.00
21	G5506164000	SCREW		*		1.00
22	NM6060001SC	NUT M6		*		2.00
23	PA160100500	AIR CYLINDER		*		1.00
24	SM6033052TP	SCREW		*		4.00
25	G5507164000	AUXILIARY CLAMP COVER		*		1.00
26	SM0040601SA	SCREW		*		2.00
27	BT0400251EB	URETHANE HOSE, BLACK		*		1.00
28	PJ305040503	UNION		*		1.00
29	WS0410002KN	SPRING WASHER		*		2.00
30	SM8040402TP	SCREW M4X0.7 L=4		*		6.00
31	G55081640A0	LIGHT FABRIC CLAMP ASM.				1.00
32	G5508164000	LIGHT FABRIC CLAMP		*		1.00
33	SM6031002TP	HEXAGONAL BOLT M3 X 10		*		2.00
34	WS0310002KN	SPRING WASHER M3		*		2.00
35	WP0320501SC	WASHER M3		*		2.00
36	G5138161000	RUBBER CAP		*		1.00
37	G5509164000	NEEDLE CLAMP				1.00

# ASSISTANT FEED PLATE COMPONENTS



No.	品番	品名	備考	子部品	消耗品	個数
1	G55101640A0	AUXILIARY FEED BOARD ASM.				1.00
2	G5510164000	AUXILIARY FEED BOARD		*		1.00
3	G5511164000	BRACKET		*		2.00
4	SD0400191TP	HINGE SCREW D=4 H=1.9		*		4.00
5	WS0410002KN	SPRING WASHER		*		4.00
6	G5178162000	SLIDER		*		8.00
7	G5512164000	AUXILIARY FEED SUPPORT (LEFT)		*		1.00
8	G5513164000	AUXILIARY FEED SUPPORT (RIGHT)		*		1.00
9	SM6061002TP	SCREW M6 L=10		*		4.00
10	WS0610002KN	SPRING WASHER 6.1X12.2X1.5		*		4.00
11	WP0641601SC	WASHER		*		4.00
12	B1523232000	REGULATING SCREW		*		2.00
13	NS6090310SP	NUT 9/64-40		*		2.00

# NO.2 PRESSER COMPONENTS



No.	品番	品名	備考	子部品	消耗品	個数
1	G55141640A0	PRESSER ASM., NO.2				1.00
2	G5514164000	CYLINDER SUPPORT BASE		*		1.00
3	G5038171000	SIDE PLATE SUPPORT		*		2.00
4	SM6061202TP	SCREW M6 L=12		*		4.00
5	WS0610002KN	SPRING WASHER 6.1X12.2X1.5		*		4.00
6	WP0641601SC	WASHER		*		4.00
7	G5518164000	FLANGE UNIT		*		2.00
8	SM6061202TP	SCREW M6 L=12		*		4.00
9	WP0641601SC	WASHER		*		4.00
10	NM6060001SC	NUT M6		*		4.00
11	WS0610002KN	SPRING WASHER 6.1X12.2X1.5		*		4.00
12	G5215171000	THRUST COLLAR		*		2.00
13	SM8060812TP	SCREW M6 L=8		*		4.00
14	G5515164000	CYLINDER BRACKET		*		2.00
15	SM6061202TP	SCREW M6 L=12		*		8.00
16	WS0610002KN	SPRING WASHER 6.1X12.2X1.5		*		8.00
17	WP0641601SC	WASHER		*		8.00
18	PA2007503A0	AIR CYLINDER		*		1.00
19	PC015108000	SPEED CONTROLLER		*		2.00
20	G5204171000	LINK BOLL		*		1.00
21	NM6080003SC	NUT M8		*		1.00
22	WS0820002KN	SPRING WASHER M8		*		1.00
23	WP0841601SC	WASHER 8.4X17.4X1.6		*		1.00
24	G5517164000	PRESSER, LOWER		*		1.00
25	G5208164000	BAR LOCKER		*		1.00
26	G5221164000	KNOB		*		1.00
27	G5516164000	PRESSER, UPPER		*		1.00
28	G5216164000	STACKER RING		*		5.00
29	PJ301040504	JOINTING		*		3.00
30	PV010507000	VALVE		*		1.00
31	G5519164000	STACKER OPEN SWITCH LABEL		*		1.00
32	PJ308040002	QUICK COUPLING		*		1.00
33	PJ301040504	JOINTING		*		2.00
34	PV020501000	CHECK VALVE		*		1.00
35	BT0400251EB	URETHANE HOSE, BLACK		*		1.00

# HOW TO MAKE USE OF THIS PARTS LIST

1.As to "#01" and "#02" refer to the "Note" given at the bottom of the respective pages.

2.Codes on the "Qty" column

- Each numeral indicates the number of parts required.
- "0.1" and "2.5" indicate the length (in meters) of the respective parts.

3.Parentheses mean that the corresponding part is a subpart that constructs an assembly part.

4.Dotted lines on the Figures indicate assembly parts.

1. リストページの# 0 1、# 0 2の印は、ページ下の"注記"の説明を参照下さい。
2. 数量欄の数字は、個数を表し、0. 1、2. 5等の数値は、長さ（単位メートル）を表します。
3. 数量欄の（ ）は、組部品を構成している子部品であることを意味します。
4. イラストページの-----枠は、組構成であることを意味します。